

### Customer Information

Company: \_\_\_\_\_  
 Name: \_\_\_\_\_  
 Title: \_\_\_\_\_  
 Address: \_\_\_\_\_  
 Email: \_\_\_\_\_  
 Phone: \_\_\_\_\_

### Material Information

Materials: \_\_\_\_\_  
 Bulk Densities: \_\_\_\_\_ lbs/ft<sup>3</sup>  
 Particle Size: \_\_\_\_\_  
 Material Flowability: \_\_\_\_\_  
 Hygroscopic  Abrasive  Hazardous  Friable  
 Toxic  Corrosive  Heat Sensitive  Cohesive  
 Is the material combustible? If so please fill out the information below.  
 KST: \_\_\_\_\_  
 Pmax: \_\_\_\_\_

### Construction Requirements

Material of Construction:  
 Tubes, sprockets, and shafts are 304 S/S.  
 Housings:  304 S/S  316 S/S  Aluminum  
 Rope Options:  Galvanized  304 S/S  Nylon Coated  
 Disc Options:  Polyurethane  Nylon  Static Dissipating  
 Are there any special finish requirements, polish, or coating, etc.? If so, please list:  
 \_\_\_\_\_

### Electrical Requirements

Motor Enclosure:  
 TEFC  
 Explosion Proof  
 Class: \_\_\_\_\_ Division: \_\_\_\_\_ Groups: \_\_\_\_\_  
 Motor Voltage:  
 230/460 VAC 3PH 60HZ  Other  
 VFD Rated?:  Yes  No  
 Control Voltage:  120 VAC  24 VDC  
 Control Panel Required?  Yes  No  
 Control Panel/Electrical Enclosure:  
 NEMA 4  NEMA 7/9  NEMA 12  Other: \_\_\_\_\_  
 Hazardous Location:  
 Class: \_\_\_\_\_ Division: \_\_\_\_\_ Groups: \_\_\_\_\_

### Application Information

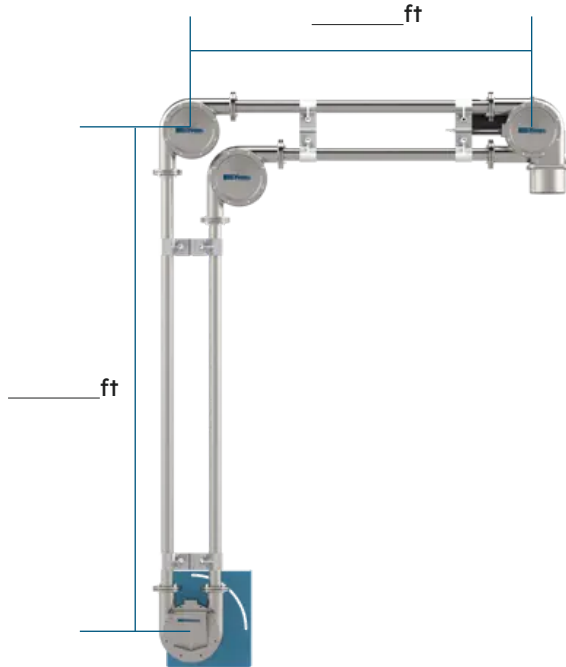
Inlet of Conveyor - What is feeding material to the conveyor?: \_\_\_\_\_  
 Discharge of Conveyor - What is the conveyor discharging material into?: \_\_\_\_\_  
 Process Temperature: \_\_\_\_\_ °F  
 Required Convey Capacity: \_\_\_\_\_ lbs/hr

### Applicational Optional Features

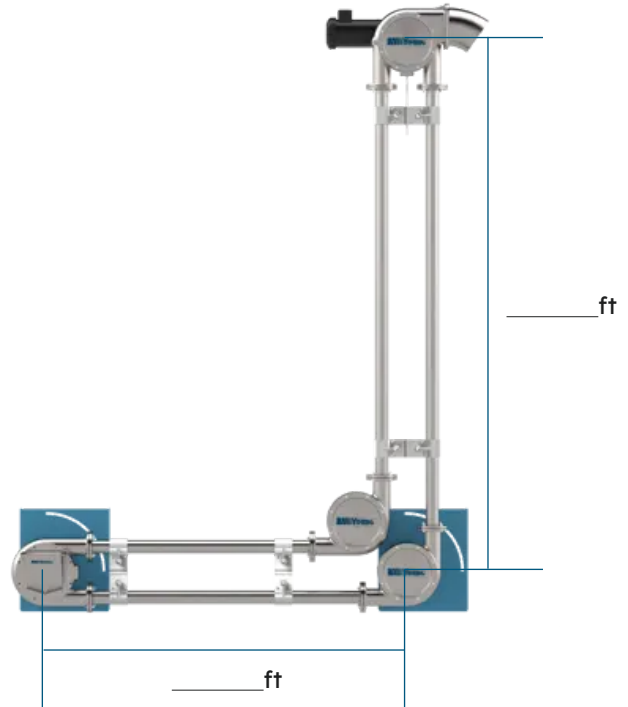
- Inlet Hopper
- Inlet Gate Valve To Start/Stop Product Flow
- Water Wash-Down and Drain Connections
- Portable Base With Casters
- Seal Purge for Bearing Housing
- Air Purge on Cover Plates
- TransFlow® Lined Housings (Only in S/S Housings)

**Additional Information**

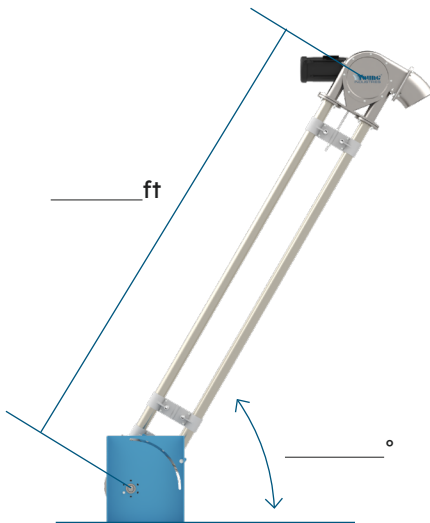
▼ Model VH Transvair<sup>®</sup> Mechanical Conveyor



▼ Model HV Transvair<sup>®</sup> Mechanical Conveyor



▼ Model SL Transvair<sup>®</sup> Mechanical Conveyor



Young Industries Transvair<sup>®</sup> Mechanical Conveyor Systems are available in 3" and 4" tube sizes. We will select the proper size based on the design conditions you specify. If you have a size preference please let us know and we will be happy to quote. The Transvair<sup>®</sup> Mechanical Conveyors are used on many systems to transport powders from Bag Dumping hoppers and Bulk Bag Unloading Equipment. Young Industries offers a complete line of Bag Dump Stations and Bulk Bag Unloading Systems which can be supplied with the conveyor.

