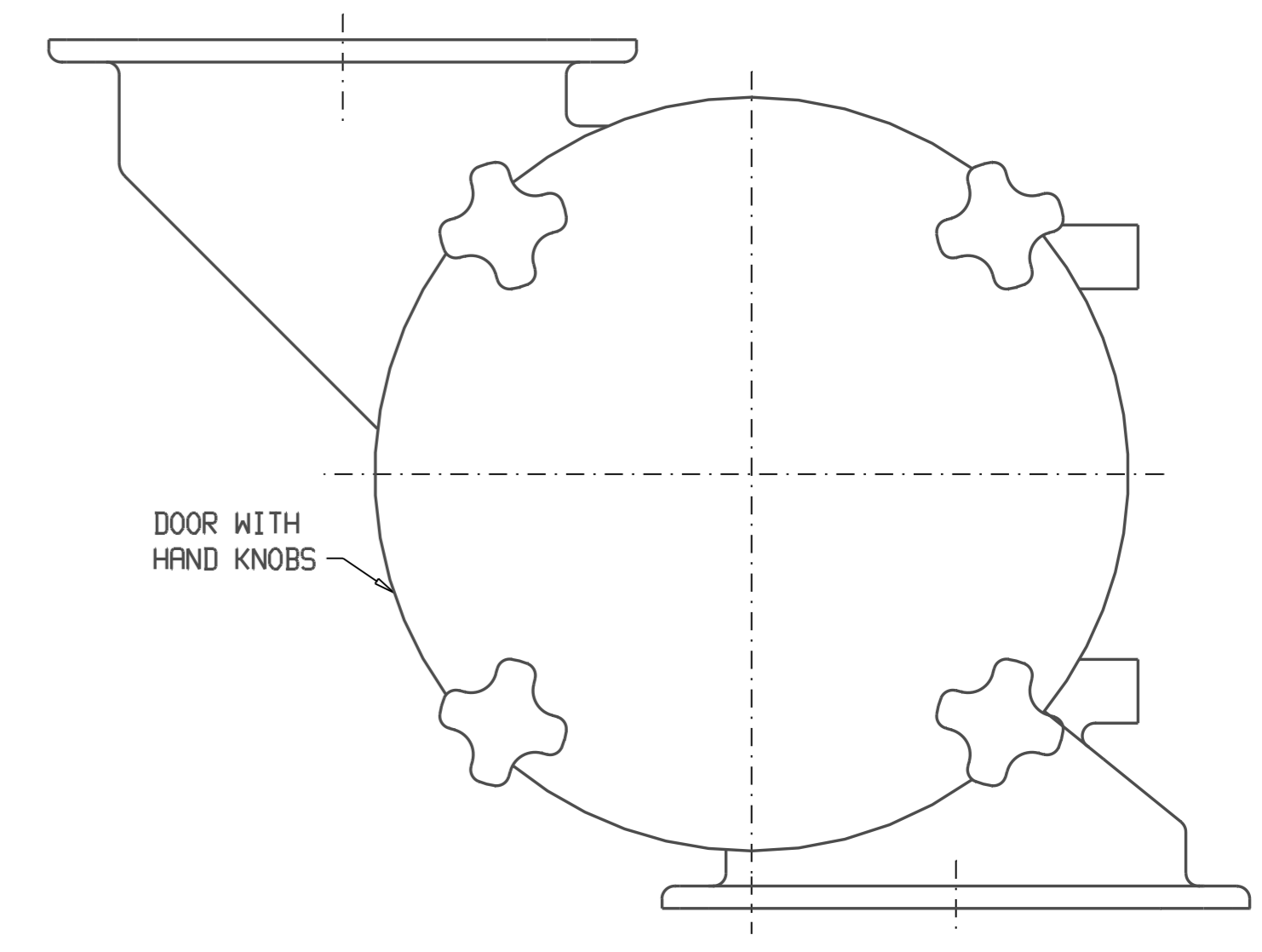
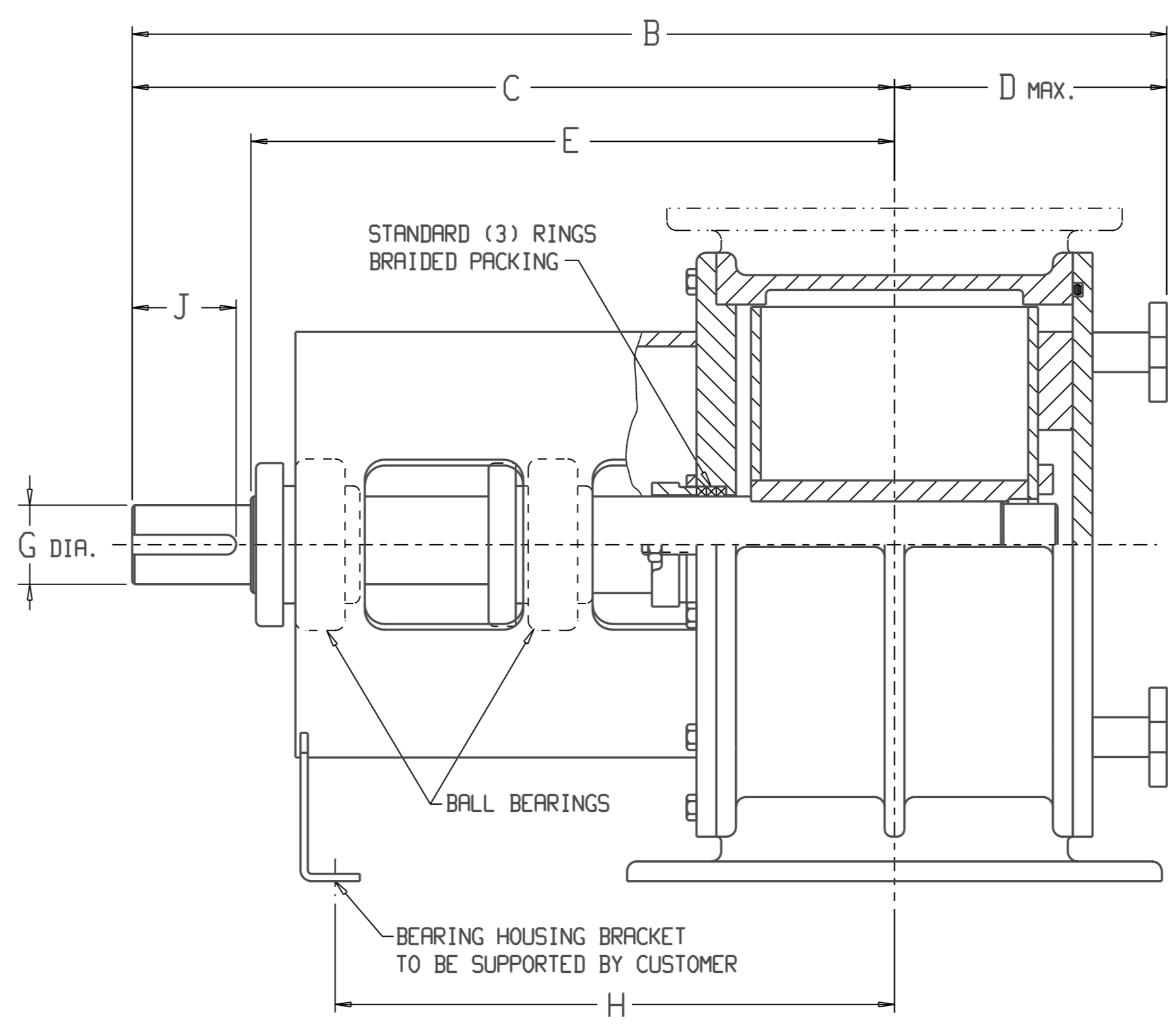
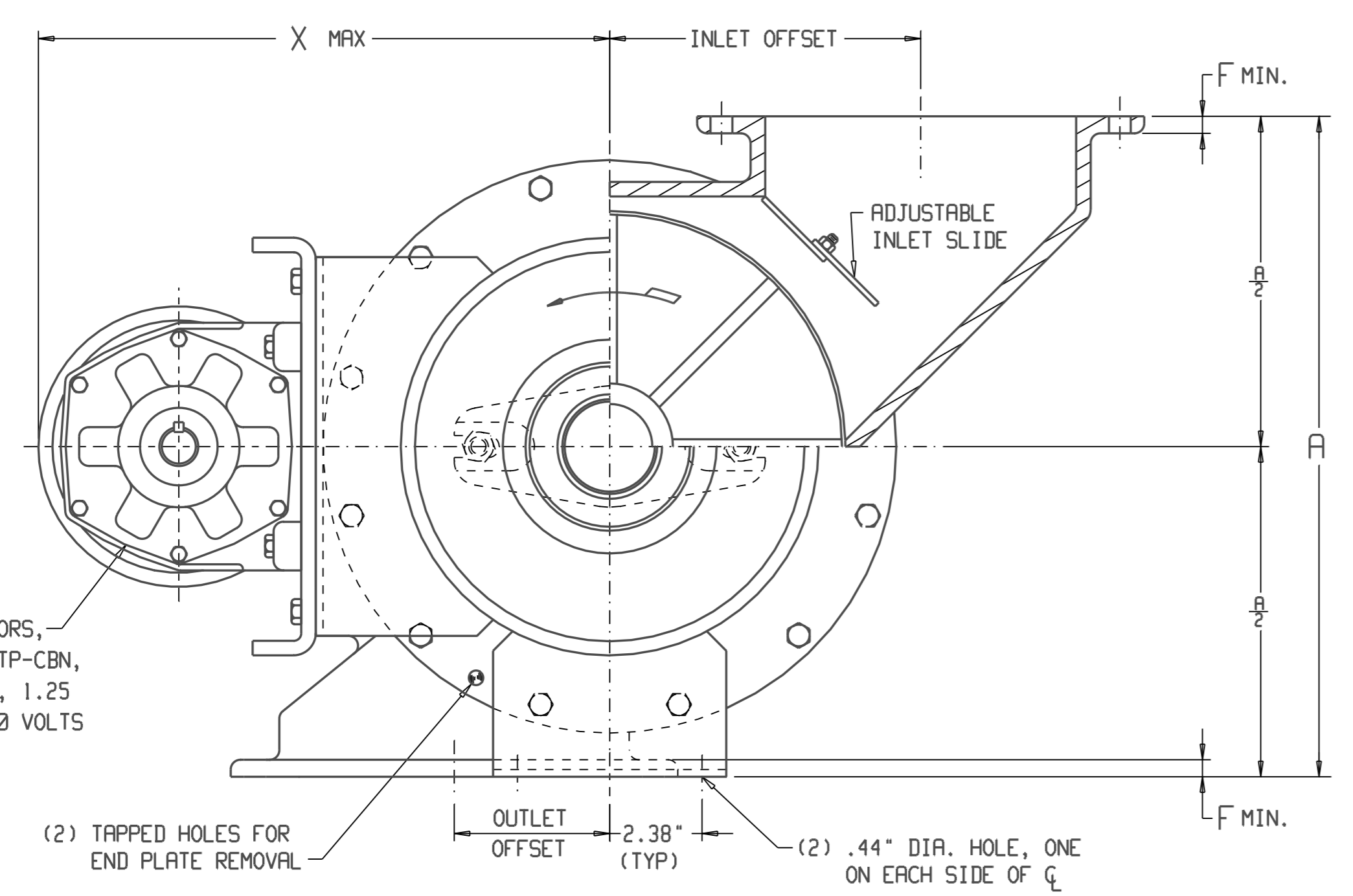


TOTALLY ENCLOSED ROLLER CHAIN DRIVE, INCLUDES:
TOTALLY ENCLOSED CHAIN GUARD
NO .XX ROLLER CHAIN, .XXX" PITCH
XX TOOTH SPROCKET, BORED X.XX" DIA., .XX" X .XX" KEYWAY (MOTOR SHAFT)
XX TOOTH SPROCKET, BORED X.XX" DIA., .XX" X .XX" KEYWAY (VALVE SHAFT)

GEARMOTOR, PARALLEL SHAFT, U.S. MOTORS,
X X HP, XX RPM OUTPUT, TEFC, TYPE UTP-CBN,
FRAME XX-XXXX, CLASS 'F' INSULATION, 1.25
SERVICE FACTOR, 3 PH, 60 HZ, 230/460 VOLTS



SIZE	ROTOR DIA X LG	ROTOR CAP FT ³ /REV	INLET OFFSET	OUTLET OFFSET	A	B	C	D	E	F	G	H	J	K	L	M	N	P	Q	R	S	T	U	V	W	X	Y	WEIGHT C/S
8	12 x 8	.146	8.00	4.00	17.00	26.25	19.25	7.00	16.25	.44	1.94	14.12	.50 x .25 x 2.62	13.5	11.75	8	(8) .88	N/A	11.50	8.00	.62	5.12	2.56	(16) .56	(5) .50-13UNC	16.38	20.38	425
10	15 x 10	.305	9.50	5.00	20.00	31.38	23.12	8.25	20.12	.44	2.19	17.56	.50 x .25 x 2.62	16	14.25	10	(12) 1.00	N/A	14.75	10.00	1.00	6.38	3.19	(11) .56	(5) .50-13UNC	19.44	20.38	560

CERTIFICATION

CUSTOMER: CUSTOMER, CUSTOMER NO., CUSTOMER NO.
CUSTOMER, Y.I. ORDER NO., Y.I. JOB NO.

SPECIFICATIONS:
INLET SIZE: INLET
OUTLET SIZE: OUTLET
ROTOR TYPE: ROTOR
SEAL: SOLID TEFLON
ROTOR RPM: RPM

MATERIALS OF CONSTRUCTION:
HOUSING: HSG MAT'L
END PLATE: E.P. MAT'L
DOOR: DOOR MAT'L
ROTOR: RTR MAT'L

REMARKS:

DIMENSIONS ON THIS DRAWING ARE CERTIFIED CORRECT FOR THIS ORDER.
PER: DATE:

VALVE IS DESIGNED FOR 15 PSI (MAX) INTERNAL PRESSURE AND 5 PSI (MAX) DIFFERENTIAL PRESSURE @ 250°F.

WELDING, GRINDING, AND CLEAN-UP PER Y.I. ENG. STD. 185.200 AS FOLLOWS:
WELDING - CLASS 2
INTERIOR GRINDING - CLASS 3
EXTERIOR GRINDING - CLASS 2
CLEAN-UP - CLASS 2

3			
2			
1	ADD 10" VALVE, ROUND FLG DETAIL, DIMS K L M	8/29/96	JRJ
REV. NO.	DESCRIPTION	DATE	BY

REVISIONS
CUSTOMER CUSTOMER
CUST. NO. CUST. NO.
YOUNG ORDER NO. YOUNG JOB NO.
TITLE ASSEMBLY:
SIZE 8", MODEL 'QC-SE' QUICK CLEAN ROTARY VALVE W/ PARALLEL SHAFT DRIVE, STANDARD DIMENSION SHEET

GENERAL TOLERANCES			
UNLESS OTHERWISE SPECIFIED THE FOLLOWING SHALL APPLY			
MACHINING	.XX ± .02	.XXX ± .005	ANGLE ± .50°
SURFACE ROUGHNESS HEIGHT 63 MICROINCHES OR LESS			
FABRICATION	UNDER 6	6 TO 24	24 TO 60 OVER 60
	± .06	± .12	± .19 ± .25
UNLESS OTHERWISE SPECIFIED DIMENSIONS ARE IN INCHES			
PRINT ISSUE DATE	CAD FILE NUMBER: /mtp/data/		
	/224/		

THE YOUNG INDUSTRIES, INC.
MCCASKEY, PENNSYLVANIA 17256
TELEPHONE: 570-546-3105

DRAWN BY: AEB SCALE: NTS
CHECKED BY: DATE: 8/18/94
DRAWING NUMBER: 4-7671-00.01