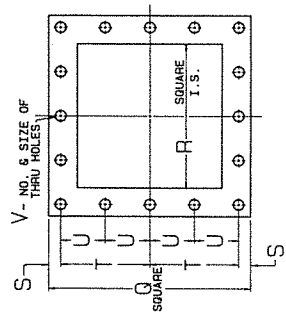
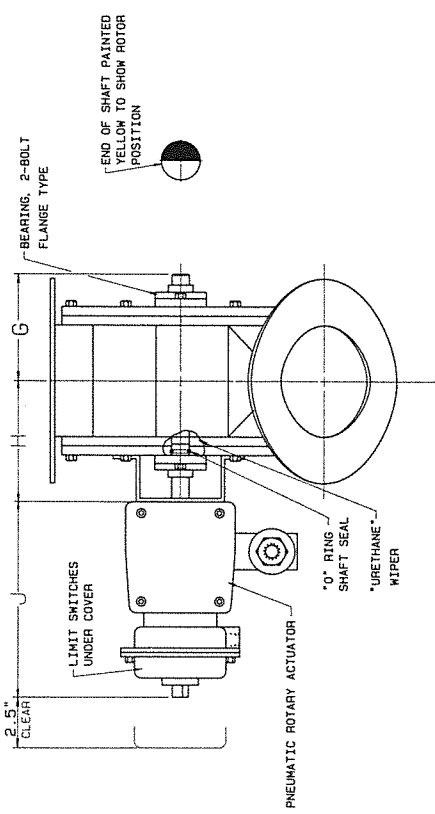
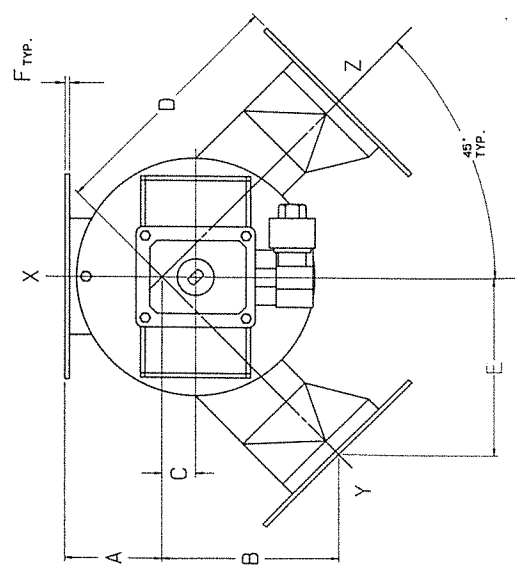


ROUND FLANGED CONNECTION
150# ANSI DRILLING



SQUARE FLANGE DETAIL



- NOTES:
- HOUSING, SIDE PLATES, AND ROTOR ARE OF FABRICATED AND STAINLESS STEEL.
 - VALVES ARE AVAILABLE WITH ROUND OR SQUARE FLANGED ENDS.
 - HOUSINGS ARE DESIGNED FOR 2 PSI MAXIMUM @ 250° F.

SIZE	A	B	C	D	E	F	G	H	J	L	M	N	P	Q	R	S	T	U	V	
4	4.01	5.38	.38	9	16.38	.25	4.5	5.12	11	8	7.5	4	6-.75	7.5	4	.62	3.42	-	(8)	.58
5	5.15	6.38	.40	10	17.38	.25	5	5.62	11	10	8.5	5	6-.88	8.5	5	.62	3.42	-	(8)	.58
6	6.15	7.38	.42	11	18.38	.25	5.5	6.12	11	11	9.5	6	6-.88	9.5	6	.62	3.42	-	(8)	.58
8	8.15	9.38	.45	13	20.38	.25	6.5	7.12	13	13	11.5	8	6-.88	11.5	8	.62	3.42	-	(8)	.58
10	10.15	11.31	.48	15	22.31	.38	8	8.12	15	15	14.25	10	12-1	14.75	10	1	6.38	3.18	(16)	.58
12	12.15	13.24	.50	17	24.24	.38	10	10.12	17	17	16.75	12	12-1	16.75	12	1	7.38	3.18	(16)	.58

UNLESS OTHERWISE SPECIFIED THE FOLLOWING SHALL APPLY:
 MATERIALS - ALL DIMENSIONS ARE IN INCHES UNLESS OTHERWISE SPECIFIED.
 FINISHES - UNLESS OTHERWISE SPECIFIED ALL SURFACES SHALL BE 32 RMS.
 FABRICATION - UNLESS OTHERWISE SPECIFIED ALL DIMENSIONS SHALL BE TO UNLESS OTHERWISE SPECIFIED.

REVISIONS	DATE	BY
3		
2		
1		
0		

DATE: 12-15-88
 DRAWN: 4-6337
 CHECKED BY: SCALE: NONE
 TITLE: ROTARY VANE DIVERTER VALVE, 45° SIZES 4 THRU 12 INCL. PNEUMATIC ACTUATED STANDARD DIMENSION SHEET

