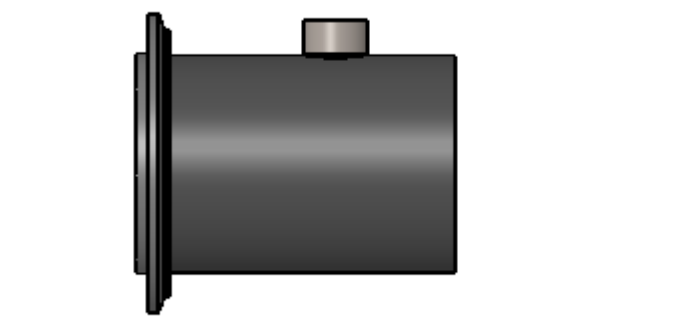
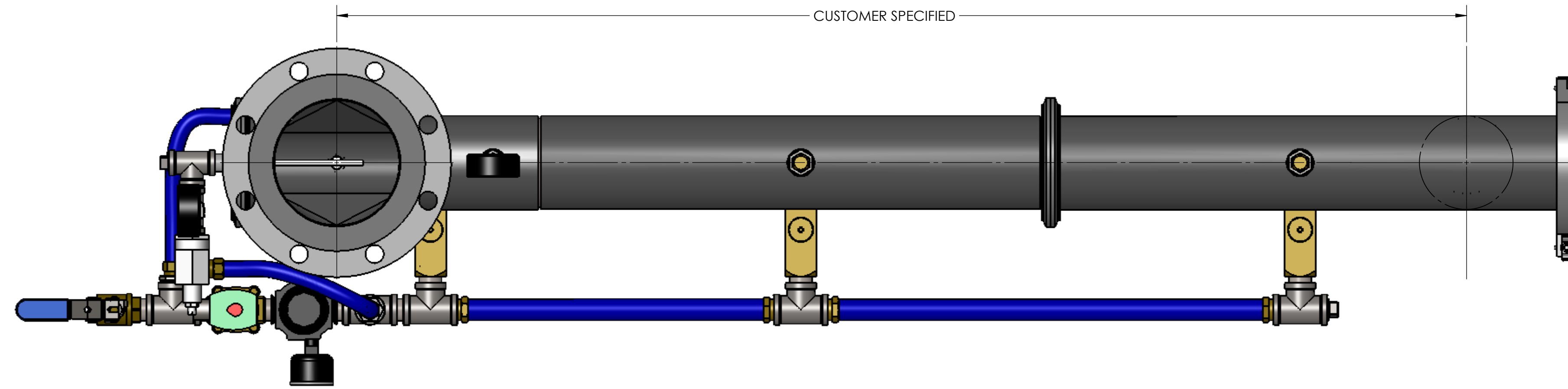
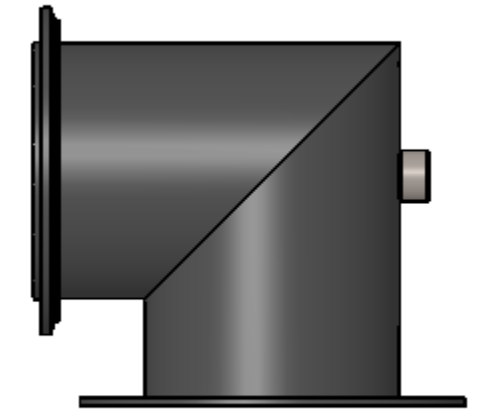


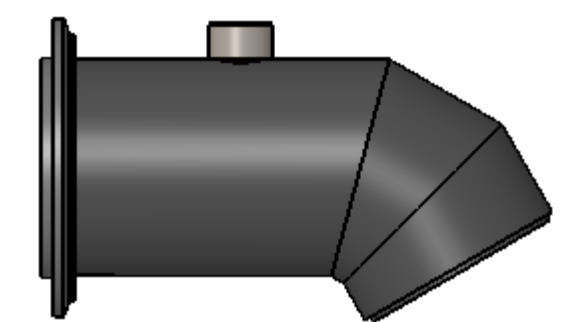
INLET FLANGE DETAIL
150# ANSI DRILLING



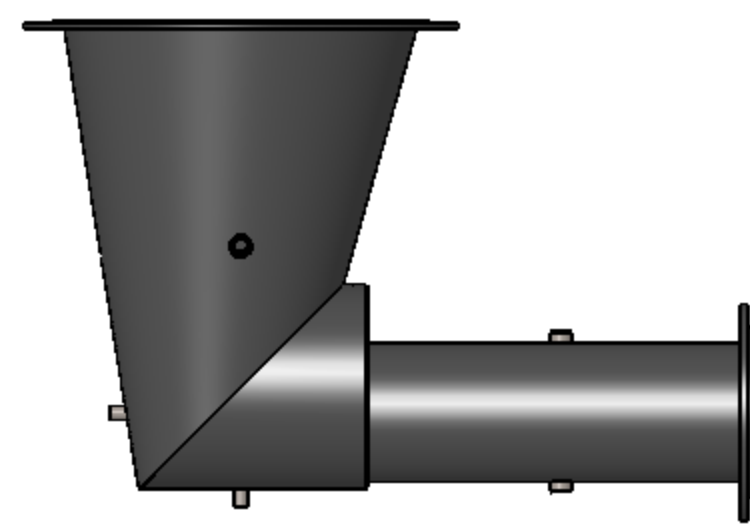
STINGER® DISCHARGE OPTION # 4
STRAIGHT DISCHARGE END
& SELF-ALIGNING FLANGE CONNECTION



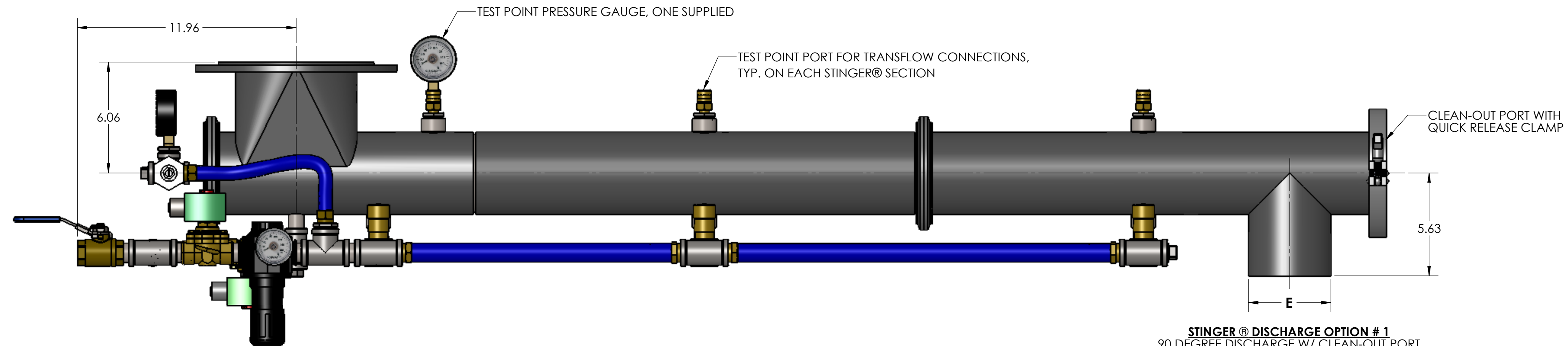
STINGER® DISCHARGE OPTION # 3
90 DEGREE ELBOW W/ FLANGED DISCHARGE
& SELF-ALIGNING FLANGE CONNECTION



STINGER® DISCHARGE OPTION # 2
45 OR 60 DEGREE ELBOW, W/
SELF-ALIGNING FLANGE CONNECTION

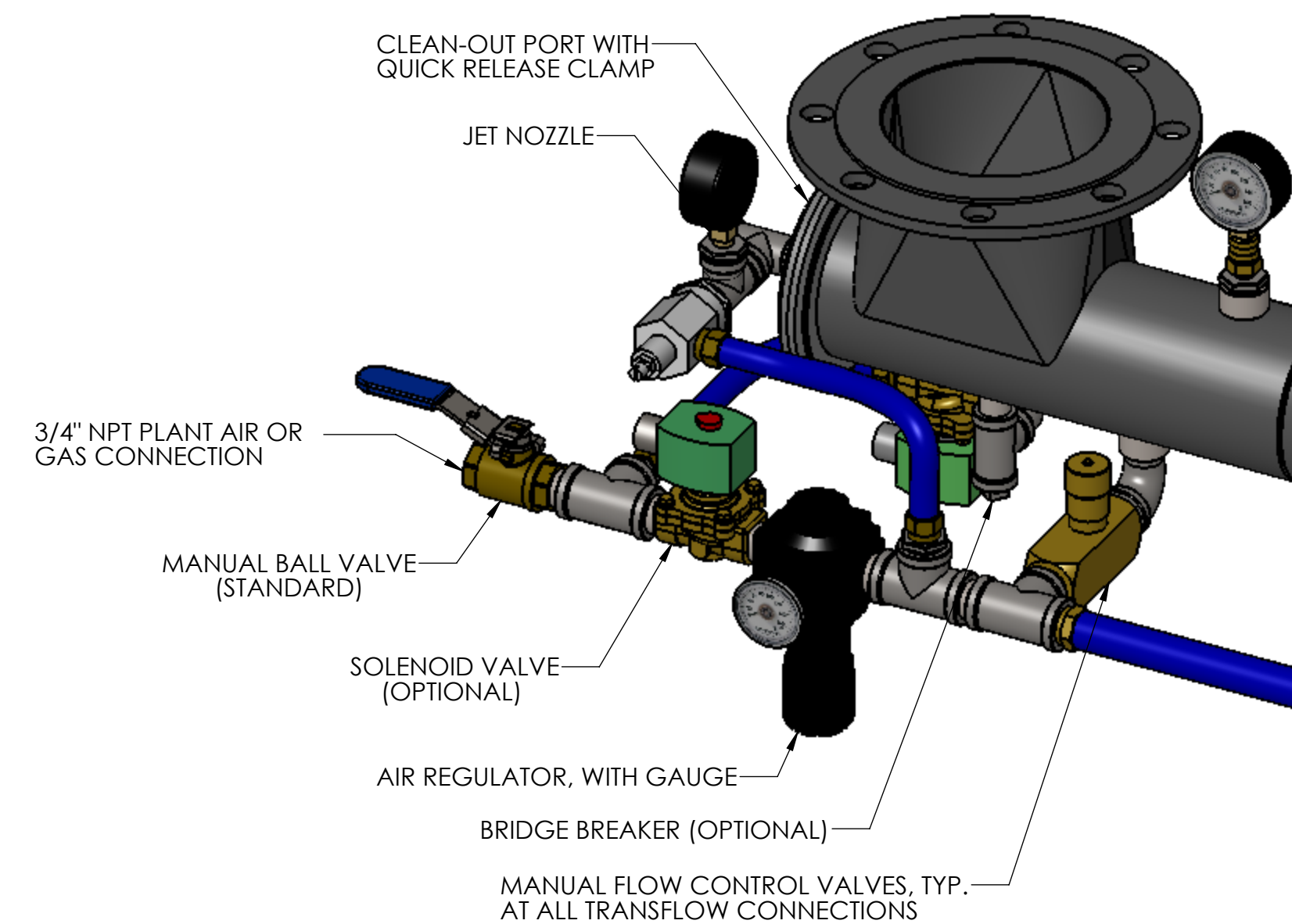
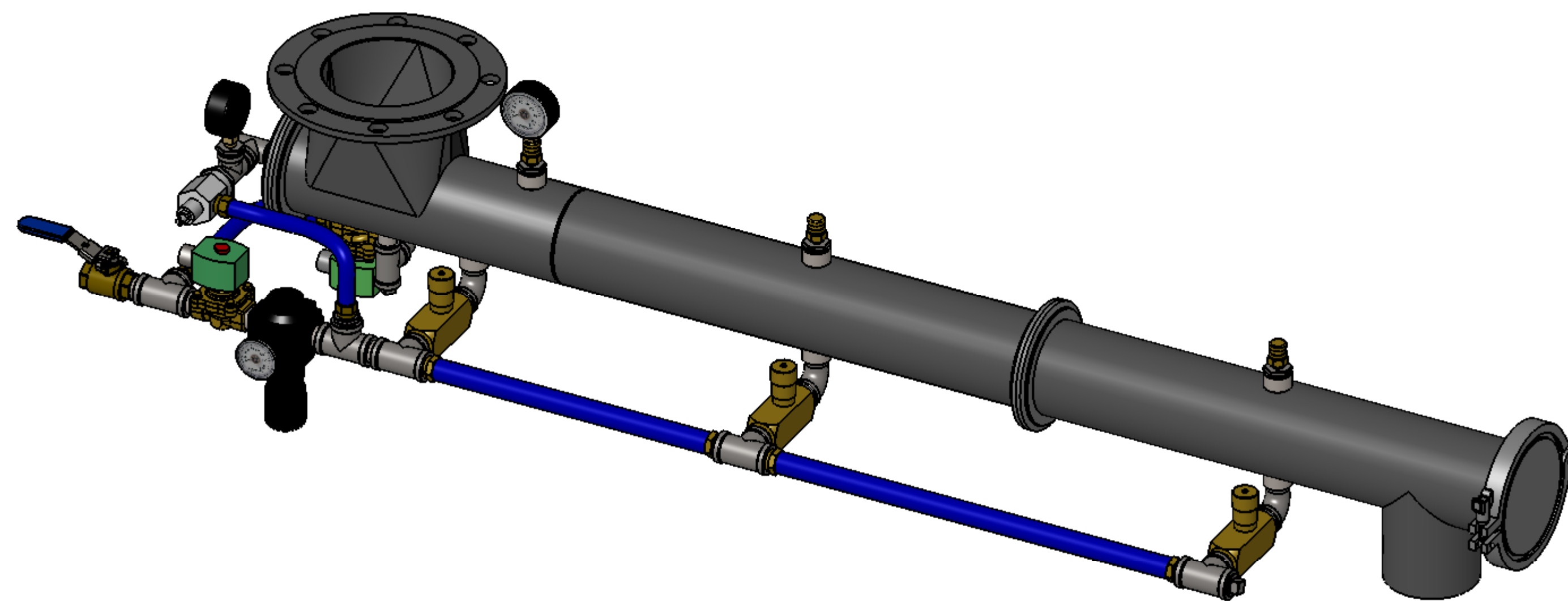


STINGER® INLET OPTION # 2
TRANSITION TYPE
(SPECIAL INLET ARRANGEMENTS AVAILABLE)



STINGER® INLET OPTION # 1
TRANSITION TYPE
W/ CLEAN OUT PORT

STINGER® DISCHARGE OPTION # 1
90 DEGREE DISCHARGE W/ CLEAN-OUT PORT
& SELF-ALIGNING FLANGE CONNECTION



Stinger® Size & Model Number	Conveying Capacity Range (SEE NOTE # 4)	A	B	C	D	E
STR 4 x 1.5	Up to 3,200 lbs./hr. (1600 kg/hr)	9.00	4.75	7.50	0.75	2.88
STR 4 x 2	Up to 6,000 lbs./hr. (2700 kg/hr)	9.00	4.75	7.50	0.75	3.50
STR 6 x 3	Up to 15,000 lbs./hr. (6800 kg/hr)	11.00	6.88	9.50	0.88	4.50
STR 6 x 4	Up to 25,000 lbs./hr. (11200 kg/hr)	11.00	6.88	9.50	0.88	5.56
STR 8 x 5	Up to 40,000 lbs./hr. (18181 kg/hr)	13.50	8.88	11.75	0.88	6.63
STR 8 x 6	Up to 60,000 lbs./hr. (27300 kg/hr)	13.50	8.88	11.75	0.88	8.63

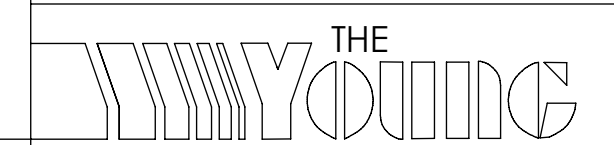
Note: Stinger® sizes above are standard. Custom sizes and designs are available upon request.

NOTES:

1. STINGER HOUSINGS ARE FABRICATED OF CARBON STEEL OR STAINLESS STEEL.
2. BRIDGE BREAKER IS OPTIONAL AND WILL BE FURNISHED ONLY WHEN SPECIFIED.
3. AVERAGE PLANT AIR OR GAS REQUIRES 80 PSIG. TRANSFLOW REQUIRES 15-25 CFM AT 5-9 PSIG (11 PSIG MAX). EXACT PLANT AIR REQUIREMENT IS MATERIAL DEPENDENT.
4. CONVEYING CAPACITIES SHOWN ARE CONSERVATIVE RANGES AND ARE BASED ON 45 LBS./CU. FT. MATERIAL. ACTUAL CONVEYING CAPACITIES ARE MATERIAL DEPENDENT.
5. SOLENOID VALVES ARE OPTIONAL AND WILL BE FURNISHED ONLY WHEN SPECIFIED.

GENERAL TOLERANCES	
UNLESS OTHERWISE SPECIFIED THE FOLLOWING SHALL APPLY	
MACHINING - .XX= .02 .XXX= .005 ANGLE= .50°	
SURFACE ROUGHNESS HEIGHT 63 MICRONS OR LESS	
FABRICATION - UNDER 6 6 TO 24 24 TO 60 OVER 60	
±.06 ±.12 ±.19 ±.25	
UNLESS OTHERWISE SPECIFIED DIMENSIONS ARE IN INCHES	

REV. NO.	DESCRIPTION	DATE	BY
.00			
REVISIONS			
CUSTOMER			
CUST. NO.			
YOUNG ORDER NO.			
TITLE			
YOUNG INDUSTRIES STINGER® CONVEYOR, HORIZONTAL UNIT			



INDUSTRIES, INC.
MUNICIPALITY, PENNSYLVANIA 17756
TELEPHONE: 570-546-3165

DRAWN BY: BMF	DATE DRAWN: 5/11/16
CHECKED BY:	SCALE=1:4
DRAWING NUMBER: D-20964-00	SHEET 1 OF 1
	REV: