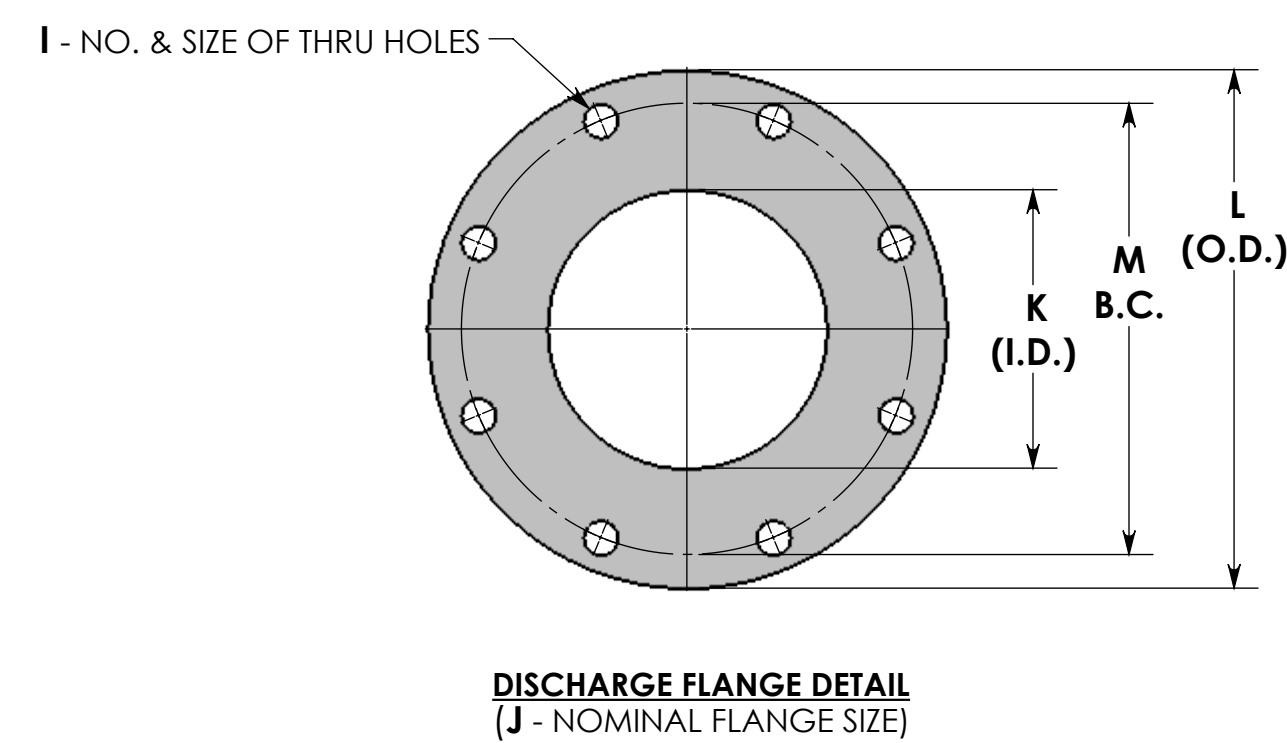
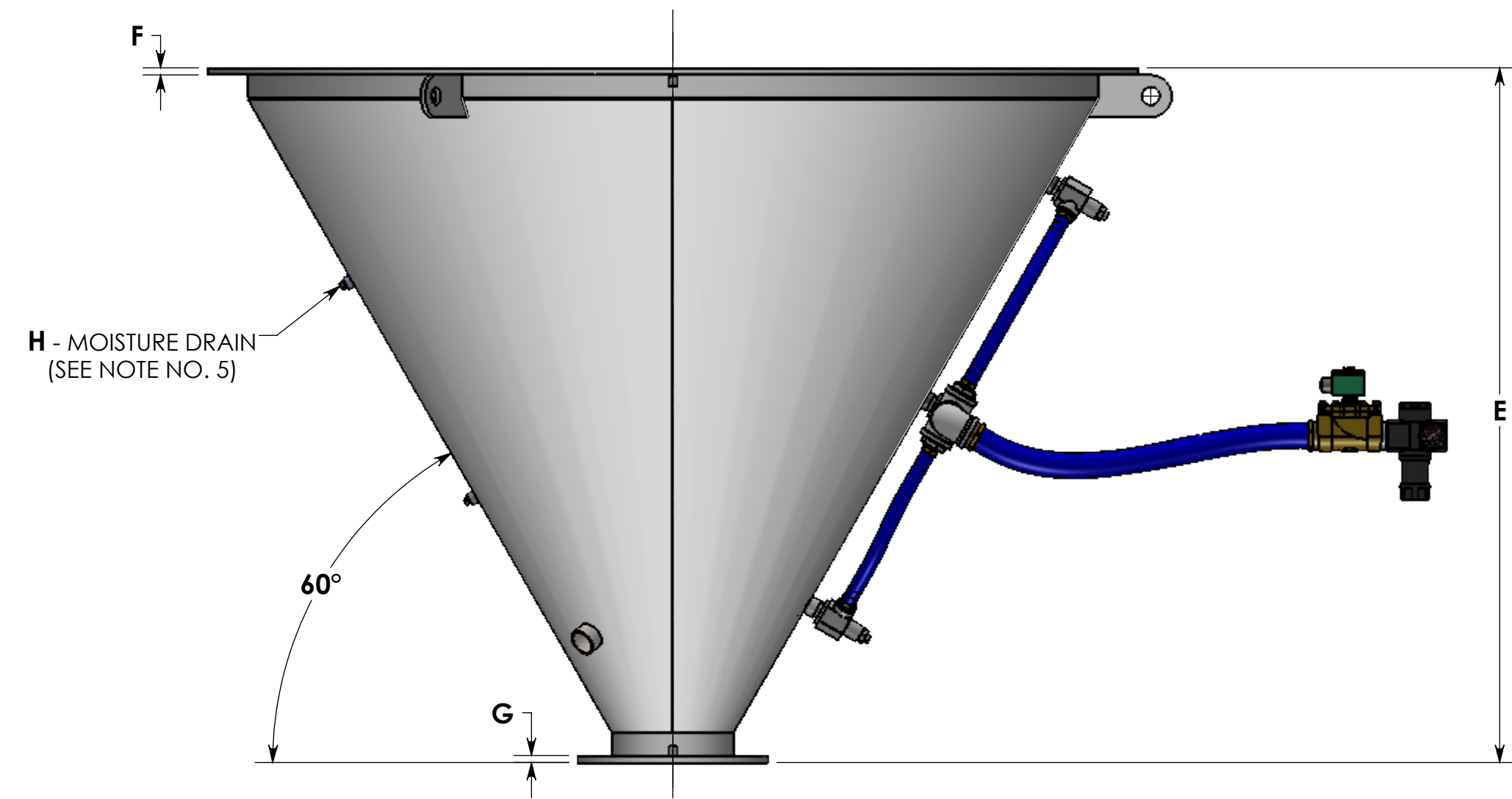


- NOTES:**
- SILENTFLOW® BIN DISCHARGERS ARE AVAILABLE IN CARBON STEEL AND STAINLESS STEEL. OTHER MATERIALS ARE AVAILABLE UPON REQUEST
 - TRANSFLOW FLUIDIZATION MEDIA IS CONSTRUCTED OF 316 STAINLESS STEEL.
 - GASKET MATERIAL: NEOPRENE, RTV, OR CUSTOMER SPECIFIED.
 - PAINT SPECIFICATION: YOUNG INDUSTRIES STANDARD 082.500 Y.I. BLUE ENAMEL OR CUSTOMER SPECIFIED. STAINLESS STEEL IS NOT PAINTED.
 - MOISTURE DRAINS ARE OPTIONAL AND WILL ONLY BE FURNISHED ONLY WHEN SPECIFIED.
 - LEVEL INDICATORS ARE OPTIONAL AND WILL BE FURNISHED ONLY WHEN SPECIFIED.
 - LIFTING LUGS ARE OPTIONAL AND WILL BE FURNISHED ONLY WHEN SPECIFIED.
 - MATERIAL FINISH:
C/S PLATE / SHEET FINISH - HOT ROLLED
S/S SHEET FINISH - NO. 2B
S/S PLATE FINISH - H.R.A.P.



A	B	C	D	E	F	G	H	I	J	K	L	M
18.00	20.25	22.00	(12) .50	16.00	0.50	0.25	1	(8) .75	4.00	3.25	9.00	7.50
24.00	26.25	28.00	(16) .50	19.50	0.50	0.38	1	(8) .88	6.00	5.25	11.00	9.50
36.00	39.50	42.00	(24) .62	30.00	0.50	0.38	2	(8) .88	6.00	5.25	11.00	9.50
48.00	51.50	54.00	(36) .62	38.75	0.50	0.50	2	(8) .88	8.00	7.25	13.50	11.75
60.00	63.50	66.00	(36) .62	49.25	0.50	0.50	3	(8) .88	8.00	7.25	13.50	11.75
72.00	75.50	78.00	(48) .62	60.00	0.50	0.50	3	(8) .88	8.00	7.25	13.50	11.75

REV. NO.	DESCRIPTION	DATE	BY
3			
2			
1			

REVISIONS

CUSTOMER _____

CUST. NO. _____

YOUNG ORDER NO. _____

TITLE

YOUNG INDUSTRIES 60 DEGREE SILENTFLOW® BIN DISCHARGER

GENERAL TOLERANCES
UNLESS OTHERWISE SPECIFIED THE FOLLOWING SHALL APPLY

MACHINING - .XX= .02 .XXX= .005 ANGLE= .50°
SURFACE ROUGHNESS HEIGHT 63 MICRORINCHES OR LESS

FABRICATION - UNDER 6 6 TO 24 24 TO 60 OVER 60
± .06 ± .12 ± .19 ± .25

UNLESS OTHERWISE SPECIFIED DIMENSIONS ARE IN INCHES

THE YOUNG INDUSTRIES, INC.
MUNCY, PENNSYLVANIA 17756
TELEPHONE: 570-546-3165

Drawn By **BMF** SCALE **NTS**

CHECKED BY _____ DATE **8/22/16**

DRAWING NUMBER **S-20174-00.00**