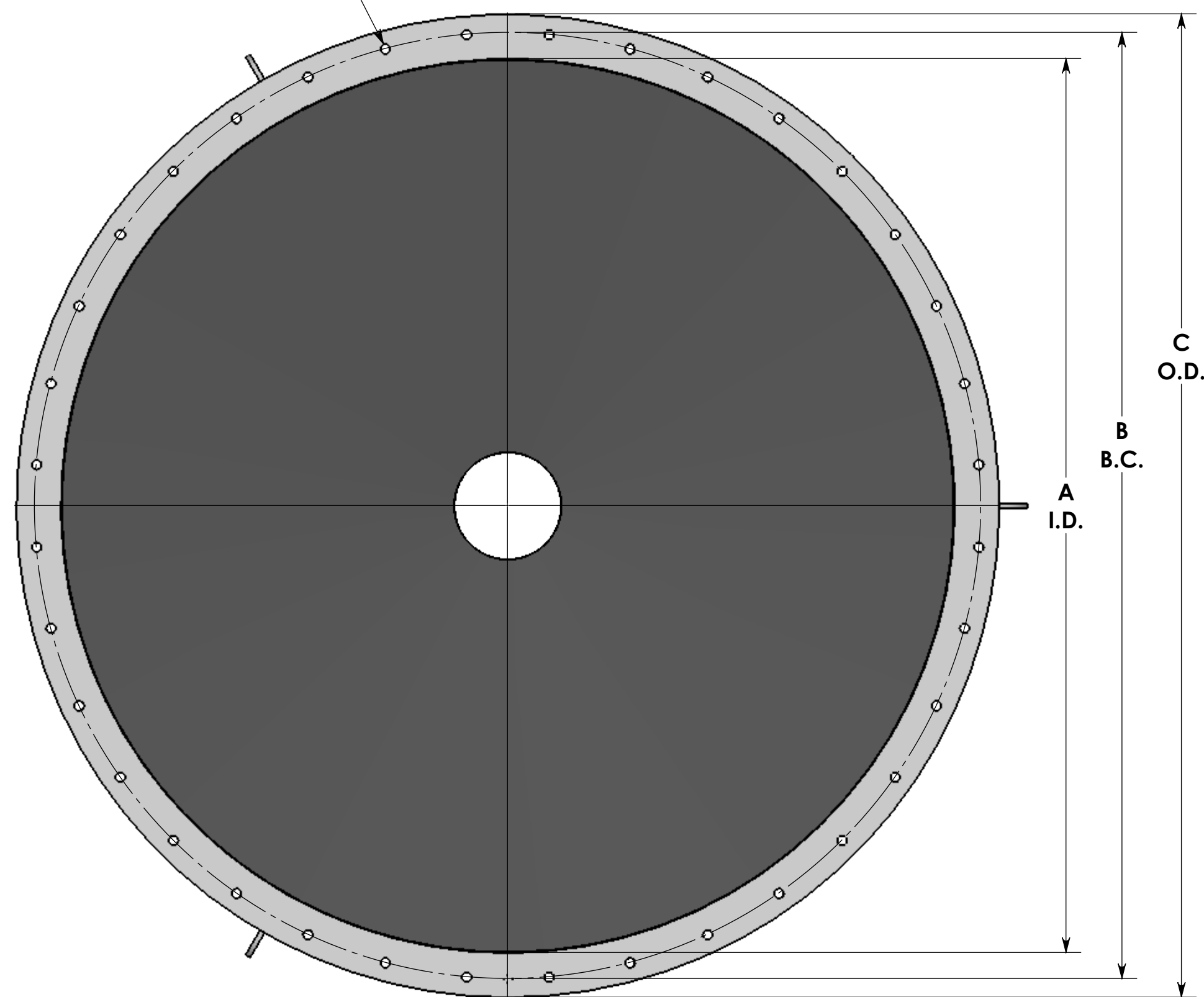
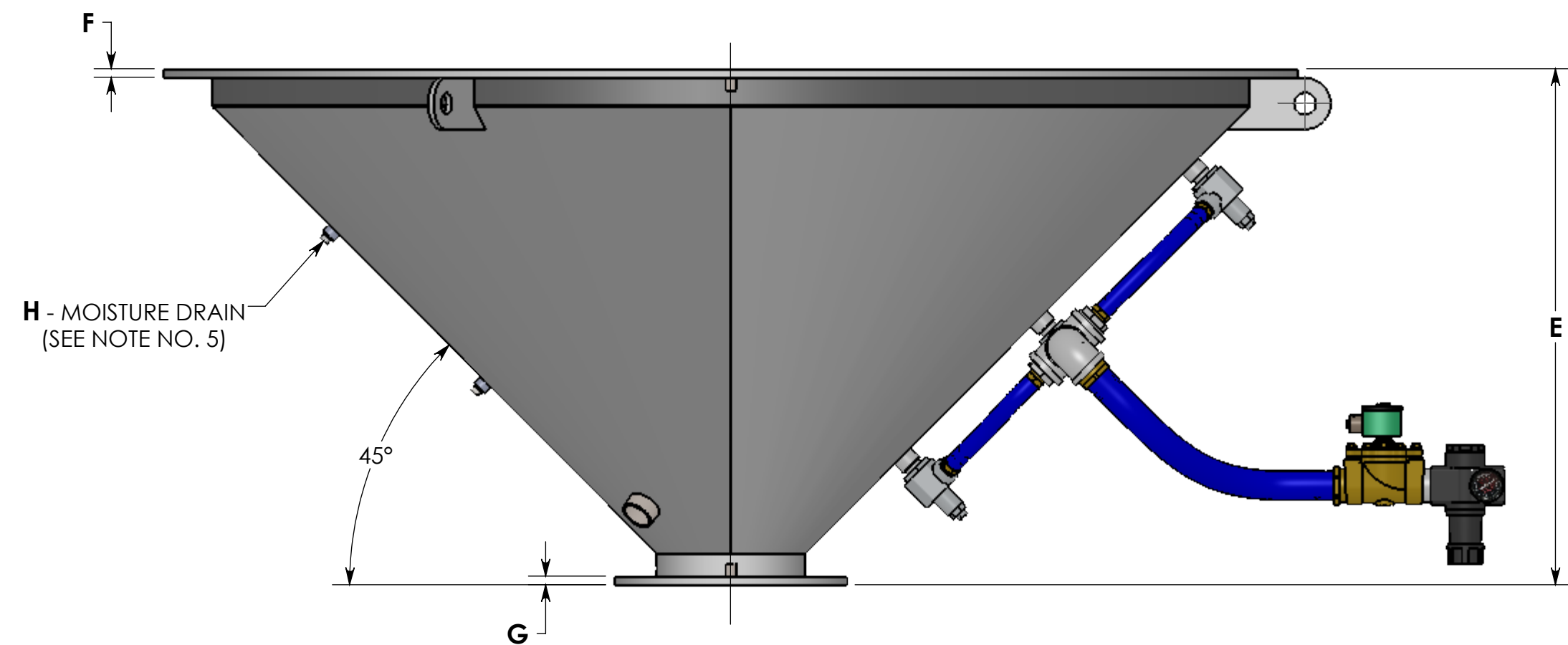
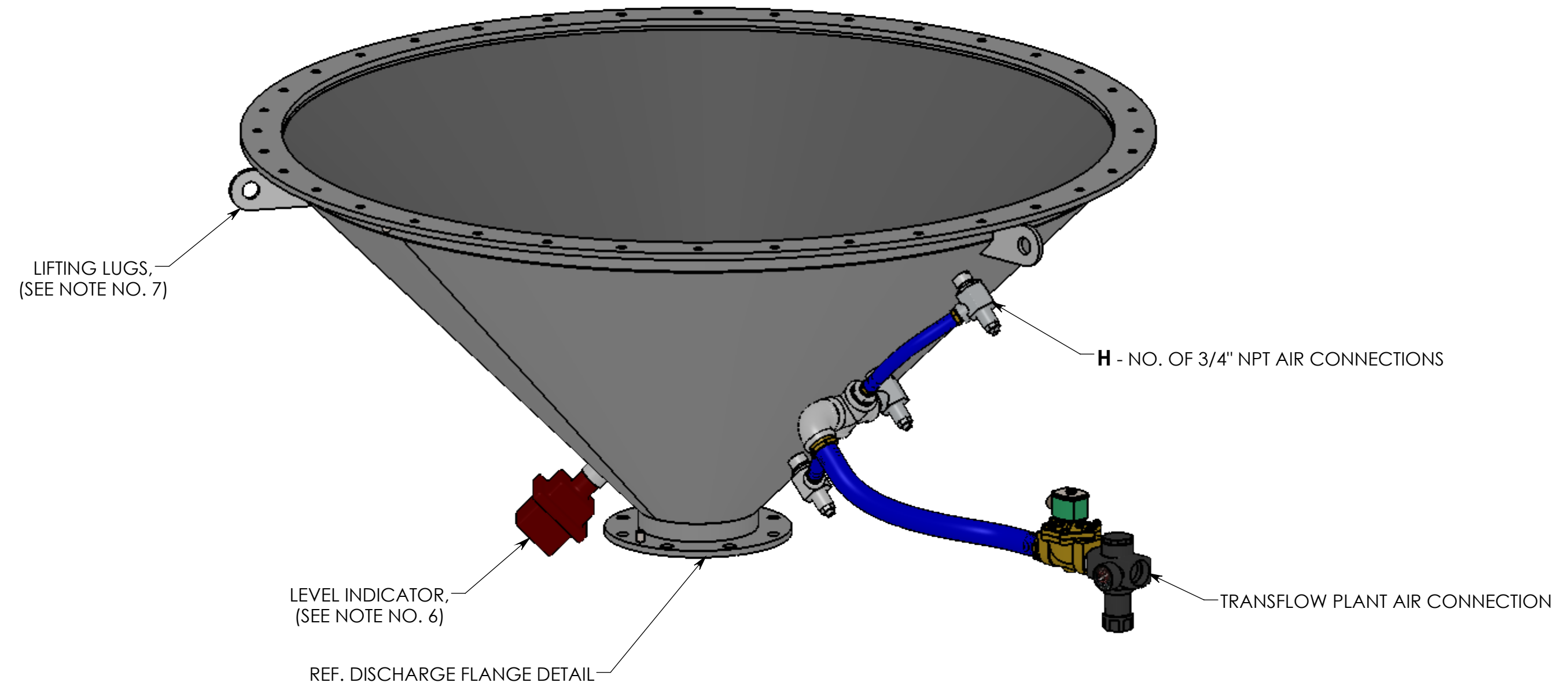


D - NO. & SIZE OF THRU HOLES

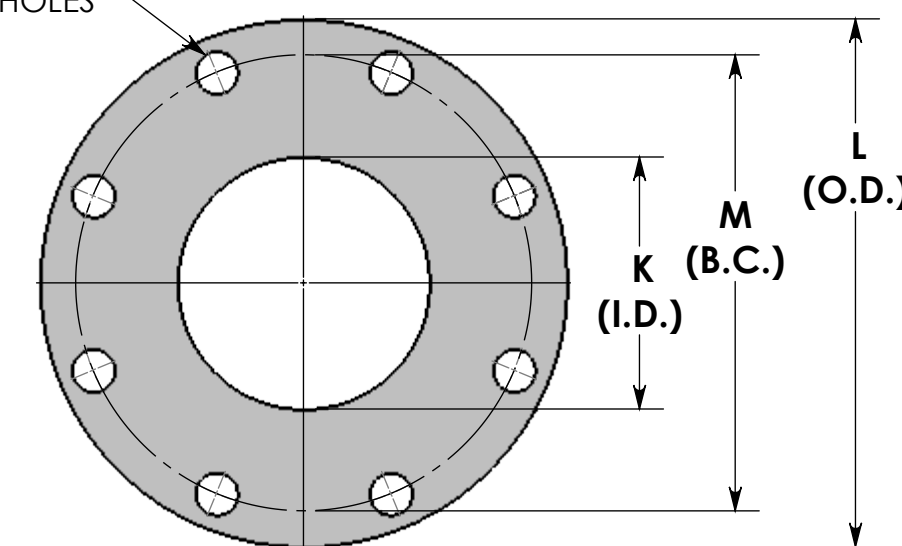


NOTES:

1. SILENTFLOW® BIN DISCHARGERS ARE AVAILABLE IN CARBON STEEL AND STAINLESS STEEL. OTHER MATERIALS ARE AVAILABLE UPON REQUEST
2. TRANSFLOW FLUIDIZATION MEDIA IS CONSTRUCTED OF 316 STAINLESS STEEL.
3. GASKET MATERIAL: NEOPRENE, RTV, OR CUSTOMER SPECIFIED.
4. PAINT SPECIFICATION: YOUNG INDUSTRIES STANDARD 082.500 Y.I. BLUE ENAMEL OR CUSTOMER SPECIFIED. STAINLESS STEEL IS NOT PAINTED.
5. MOISTURE DRAINS ARE OPTIONAL AND WILL ONLY BE FURNISHED ONLY WHEN SPECIFIED.
6. LEVEL INDICATORS ARE OPTIONAL AND WILL BE FURNISHED ONLY WHEN SPECIFIED.
7. LIFTING LUGS ARE OPTIONAL AND WILL BE FURNISHED ONLY WHEN SPECIFIED.
8. MATERIAL FINISH:
C/S PLATE / SHEET FINISH - HOT ROLLED
S/S SHEET FINISH - NO. 2B
S/S PLATE FINISH - H.R.A.P.



I - NO. & SIZE OF THRU HOLES



DISCHARGE FLANGE DETAIL
(J - NOMINAL FLANGE SIZE)

A	B	C	D	E	F	G	H	I	J	K	L	M
18.00	20.25	22.00	(12) .50	10.50	0.50	0.25	1	(8) .75	4.00	3.25	9.00	7.50
24.00	26.25	28.00	(16) .50	12.50	0.50	0.38	1	(8) .88	6.00	5.25	11.00	9.50
36.00	39.50	42.00	(24) .62	18.50	0.50	0.38	2	(8) .88	6.00	5.25	11.00	9.50
48.00	51.50	54.00	(36) .62	24.00	0.50	0.50	2	(8) .88	8.00	7.25	13.50	11.75
60.00	63.50	66.00	(36) .62	30.00	0.50	0.50	3	(8) .88	8.00	7.25	13.50	11.75
72.00	75.50	78.00	(48) .62	36.00	0.50	0.50	3	(8) .88	8.00	7.25	13.50	11.75

REV. NO.	DESCRIPTION	DATE	BY
3			
2			
1			

CUSTOMER
CUST. NO.
YOUNG ORDER NO.
TITLE
YOUNG INDUSTRIES 45 DEGREE SILENTFLOW® BIN DISCHARGER

THE YOUNG INDUSTRIES, INC.
MUNICIPALITY, PENNSYLVANIA 17756
TELEPHONE: 570-546-3165
Drawn By **BMF** SCALE **NTS**
CHECKED BY _____ DATE **8/15/16**
DRAWING NUMBER **S-20175-00.00**

GENERAL TOLERANCES	
UNLESS OTHERWISE SPECIFIED THE FOLLOWING SHALL APPLY	
MACHINING - .XX= .02 .XXX= .005 ANGLE= .50°	
SURFACE ROUGHNESS HEIGHT 63 MICRONS OR LESS	
FABRICATION - UNDER 6 6 TO 24 24 TO 60 OVER 60	
± .06 ± .12 ± .19 ± .25	
UNLESS OTHERWISE SPECIFIED DIMENSIONS ARE IN INCHES	