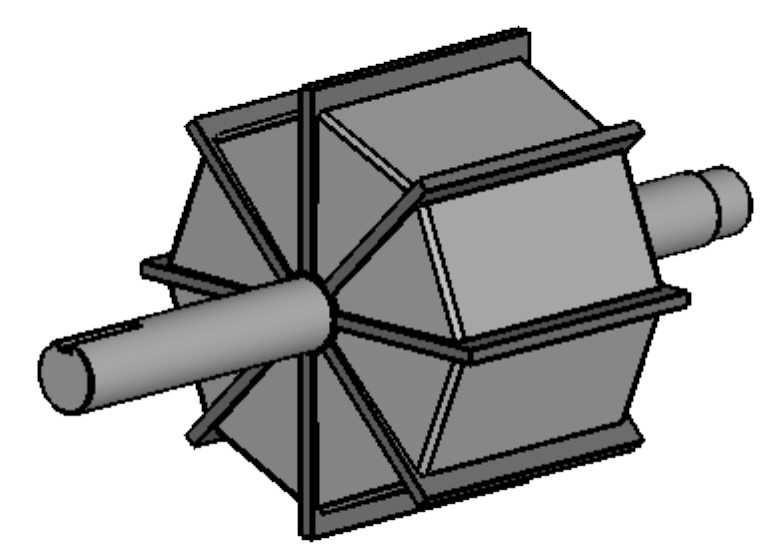
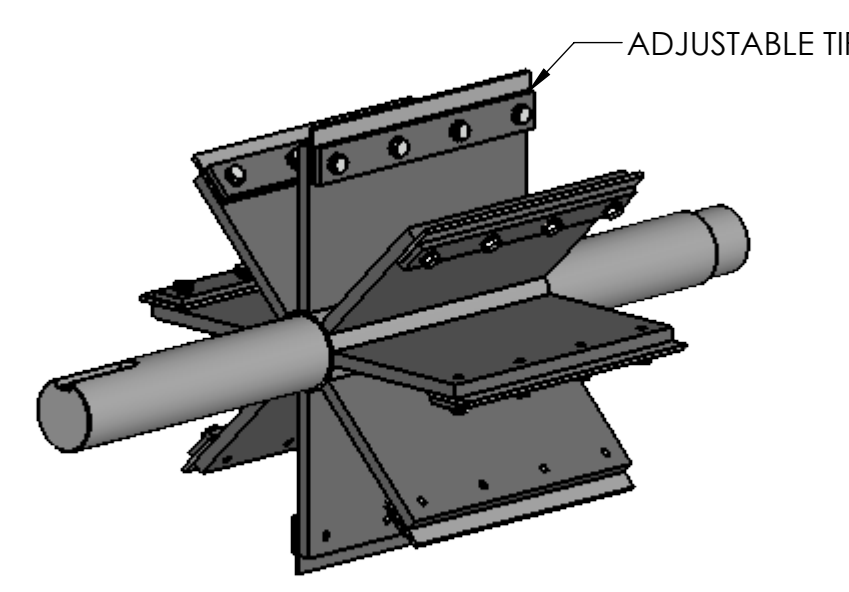


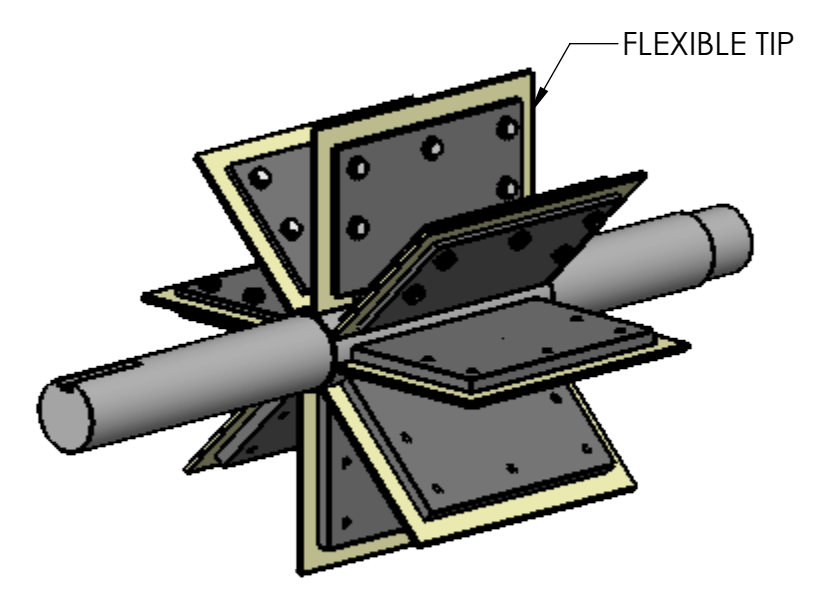
TYPE 'A' ROTOR



TYPE 'B' & 'C' ROTOR

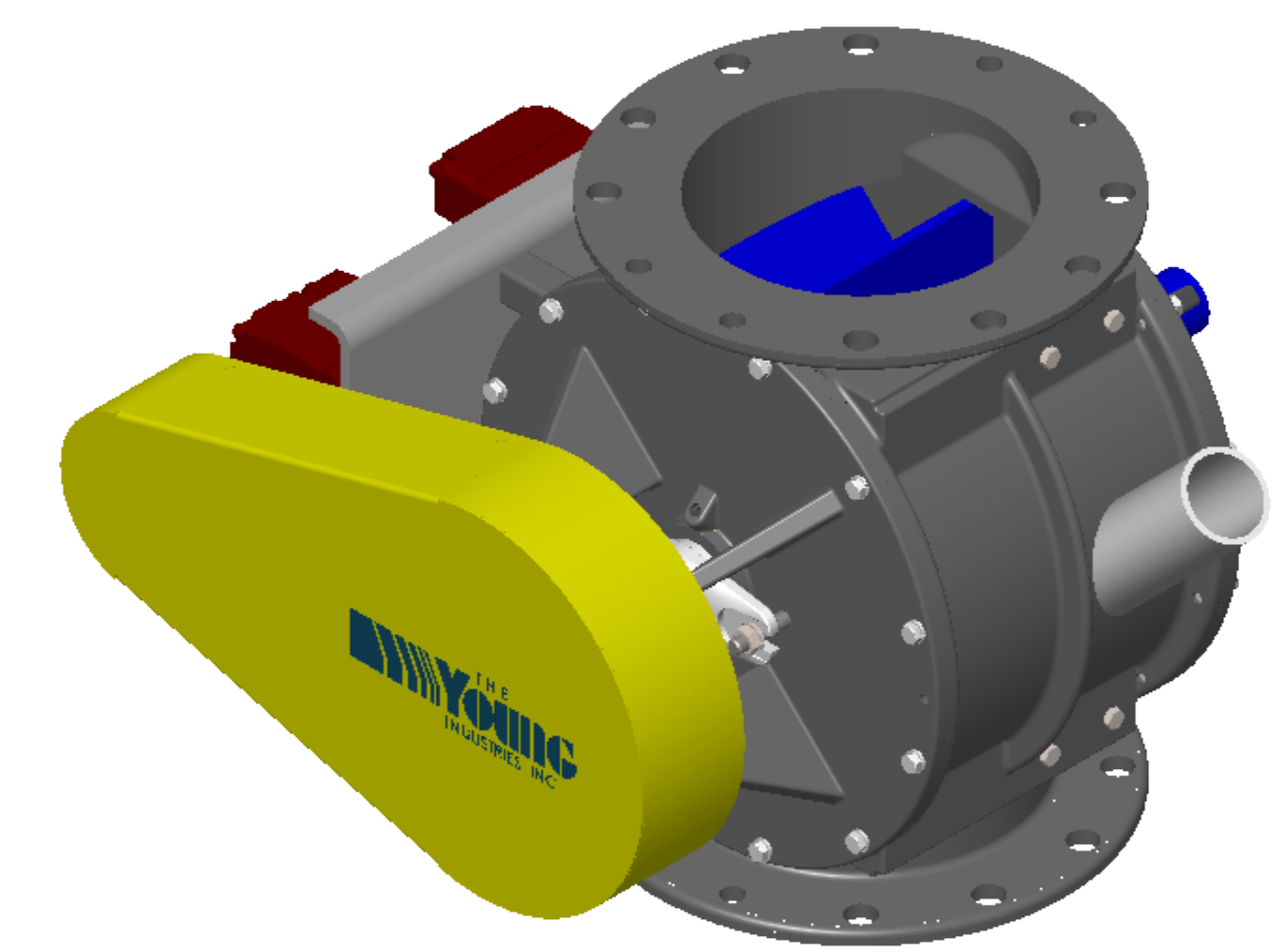
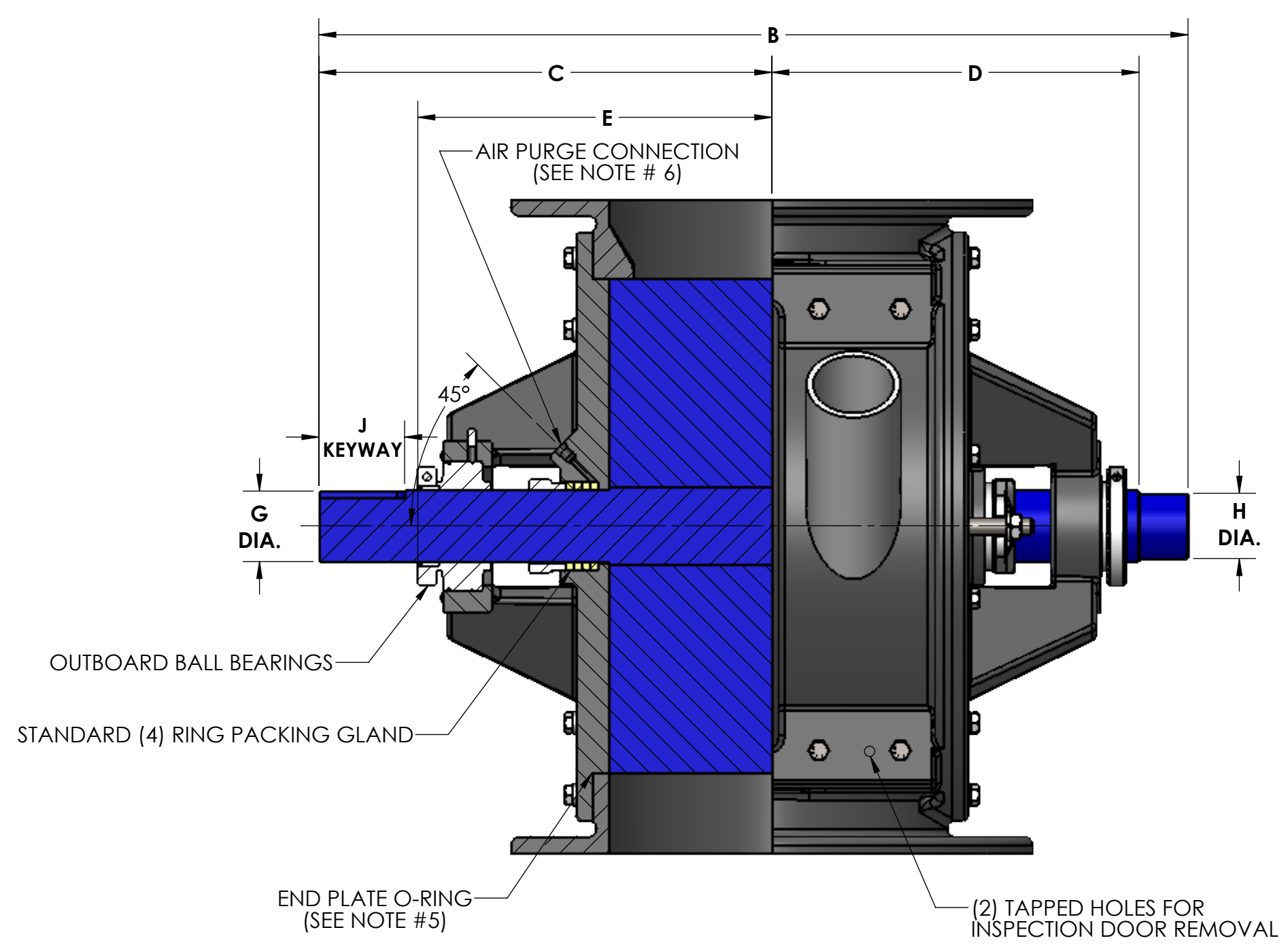
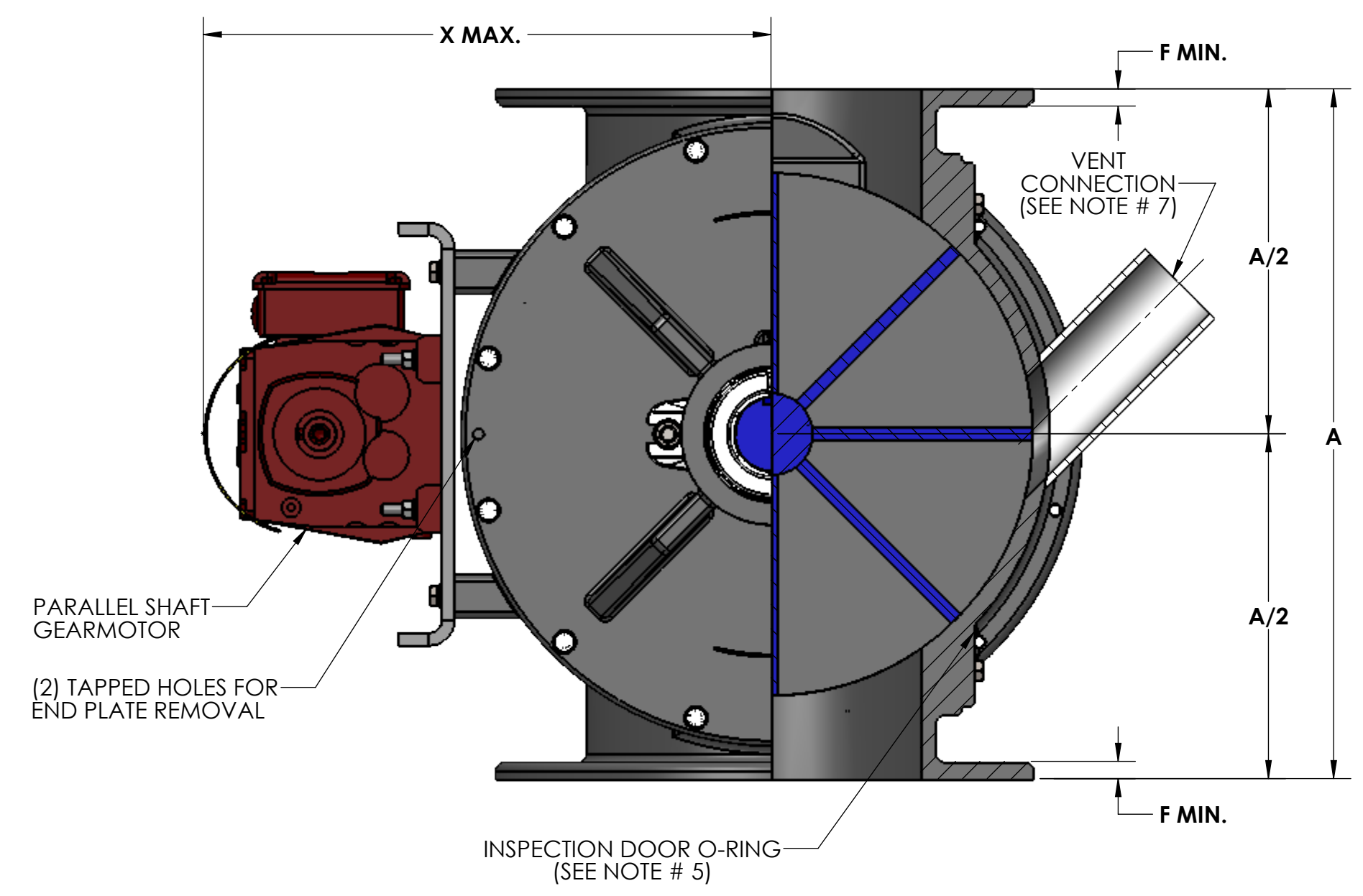


TYPE 'D' ROTOR



TYPE 'D3' ROTOR

ROTOR SIZES: 4" - 12" 8-VANES
14" - 24" 12-VANES



Size	ROTOR DIA x LG.	ROTOR CAPACITY CU. FT. PER REV.					STD RPM	VENT SIZE	STD HP	A	B	C	D	E	F	G	H	J	K	L	M	N	P	Q	R	S	T	U	V	W	X	Y		WEIGHT
		A	B	C	D3	STD.																										MAX.	C/S	
4	6 x 4	.0528	.0342	.0162	.048	.0488	38	1.25	.50	10.00	19.25	10.31	7.69	7.31	0.31	1.19	1.00	.25 x .12 x 2.62	9.00	7.50	4.00	(8) .75	N/A	7.50	4.00	.62	3.12	N/A	(6) .56	(2) .50-13UNC-2B	13.31	20.38	0.00	205
5	8 x 5	0.123	.0763	.0525	.117	.112	38	1.50	.50	12.00	20.50	10.94	8.31	7.94	0.44	1.44	1.25	.38 x .19 x 2.62	10.00	8.50	5.00	(4) .88	(4) .75-10UNC-2B	8.50	5.00	.62	3.62	N/A	(6) .56	(2) .50-13UNC-2B	14.31	20.38	0.00	260
6	10 x 6	0.237	.142	.092	.230	.218	32	1.50	.50	14.00	22.38	11.88	9.25	8.88	0.44	1.94	1.75	.50 x .25 x 2.62	11.00	9.50	6.00	(4) .88	(4) .75-10UNC-2B	9.50	6.00	.62	4.12	N/A	(6) .56	(2) .50-13UNC-2B	15.38	20.38	0.00	310
8	12 x 8	.441	.244	.132	.434	.412	32	2.00	.75	17.00	24.38	12.88	10.25	9.88	0.44	1.94	1.75	.50 x .25 x 2.62	13.50	11.75	8.00	(4) .88	(4) .75-10UNC-2B	11.50	8.00	.62	5.12	2.56	(14) .56	(2) .50-13UNC-2B	16.38	20.38	0.00	385
10	15 x 10	.893	.563	.172	.884	.838	32	2.50	.75	20.00	26.62	13.88	11.25	10.88	0.44	2.19	2.00	.50 x .25 x 2.62	16.00	14.25	10.00	(8) 1.00	(4) .88-9UNC-2B	14.75	10.00	1.00	6.38	3.19	(14) .56	(2) .50-13UNC-2B	18.00	20.38	0.00	520
12	17 x 12	1.398	.730	.284	1.387	1.316	32	2.50	.75	22.00	29.75	15.81	12.44	12.06	0.56	2.44	2.25	.62 x .31 x 3.38	19.00	17.00	12.00	(8) 1.00	(4) .88-9UNC-2B	16.75	12.00	1.00	7.38	3.69	(14) .56	(2) .50-13UNC-2B	19.00	21.38	0.00	660
14	19 x 13	1.787	1.004	.468	1.769	1.651	32	3.00	.75	24.00	30.75	16.31	12.94	12.56	0.56	2.44	2.25	.62 x .31 x 3.38	21.00	18.75	13.00	(8) 1.12	(4) 1.00-8UNC-2B	18.00	13.00	1.00	8.00	4.00	(14) .56	(2) .50-13UNC-2B	19.94	21.38	0.00	885
16	23 x 15	3.044	1.679	.777	3.008	2.829	30	3.50	1.5	28.00	34.62	18.31	14.81	14.44	0.62	2.94	2.75	.75 x .38 x 3.50	23.50	21.25	15.00	(12) 1.12	(4) 1.00-8UNC-2B	20.00	15.00	1.00	9.00	4.50	(14) .69	(2) .62-11UNC-2B	23.00	25.75	0.00	1,260
18	25 x 17	4.125	2.251	1.064	4.102	3.849	28	3.50	1.5	30.00	36.62	19.31	15.81	15.44	0.62	2.94	2.75	.75 x .38 x 3.50	25.00	22.75	17.00	(12) 1.25	(4) 1.12-7UNC-2B	22.00	17.00	1.00	10.00	5.00	(14) .69	(2) .62-11UNC-2B	24.06	25.75	0.00	1,510
20	28 x 19	5.922	3.234	1.524	5.904	5.572	28	4.00	2.0	36.00	41.38	22.38	17.50	17.12	0.75	3.19	3.25	.75 x .38 x 4.50	27.50	25.00	19.00	(16) 1.25	(4) 1.12-7UNC-2B	25.50	19.00	1.25	11.50	5.75	(14) .81	(2) .75-10UNC-2B	26.62	25.75	0.00	2,200
22	32 x 21	8.691	4.781	2.257	8.672	8.228	26	5.00	2.0	40.00	45.75	24.81	19.44	19.06	0.75	3.69	3.75	.88 x .44 x 5.00	29.75	27.25	21.00	(16) 1.38	(4) 1.25-7UNC-2B	27.50	21.00	1.25	12.50	6.25	(14) .81	(2) .75-10UNC-2B	28.62	25.75	0.00	2,730
24	34 x 23	10.833	5.926	2.751	10.772	10.224	24	5.00	2.0	42.00	47.75	25.81	20.44	20.06	0.75	3.75	3.75	.88 x .44 x 5.00	32.00	29.50	23.00	(16) 1.38	(4) 1.25-7UNC-2B	29.50	23.00	1.25	13.50	6.75	(14) .81	(2) .75-10UNC-2B	29.62	25.75	0.00	3,000

SPECIFICATIONS ARE SUBJECT TO CHANGE WITHOUT NOTIFICATION

- NOTES:**
1. VALVE HOUSINGS ARE CAST OF IRON, ALUMINUM, STEEL OR STAINLESS STEEL; FABRICATED OF STEEL OR STAINLESS STEEL. ALL ROTORS ARE FABRICATED OF STEEL OR STAINLESS STEEL.
 2. VALVE HOUSINGS ARE AVAILABLE WITH EITHER A SQUARE OR ROUND INLET AND OUTLET. ROUND FLANGES MATCH 150# ANSI DRILLING.
 3. STANDARD HOUSINGS ARE DESIGNED FOR 15 PSI (MAX) INTERNAL & DIFFERENTIAL @ 250 DEGREES F.
 4. INSPECTION DOOR IS OPTIONAL AND WILL BE FURNISHED ONLY WHEN SPECIFIED.
 5. END PLATES AND INSPECTION DOOR O-RINGS ARE OPTIONAL AND WILL BE FURNISHED ONLY WHEN SPECIFIED.
 6. AIR PURGE CONNECTIONS WITH BRASS LANTERN RINGS ARE OPTIONAL AND WILL BE FURNISHED ONLY WHEN SPECIFIED.
 7. VENT WITH SCH 10 PIPE IS OPTIONAL AND WILL BE FURNISHED ONLY WHEN SPECIFIED. VENT CONNECTION WILL CHANGE ROTOR ROTATION TO COUNTER-CLOCKWISE.

GENERAL TOLERANCES	
UNLESS OTHERWISE SPECIFIED THE FOLLOWING SHALL APPLY	
MACHINING - .XX= .02 .XXX= .005 ANGLE= .50°	
SURFACE ROUGHNESS HEIGHT 63 MICRONS OR LESS	
FABRICATION - UNDER 6" 6 TO 24" 24 TO 60" OVER 60"	
± .06 ± .12 ± .19 ± .25	
UNLESS OTHERWISE SPECIFIED DIMENSIONS ARE IN INCHES	

REV. NO.	DESCRIPTION	DATE	BY
REVISIONS			
CUSTOMER			
CUST. NO.			
YOUNG ORDER NO.			
TITLE			
YOUNG INDUSTRIES MODEL 'HC' ROTARY VALVE, SIZE 4" - 24", CLASS 15 WITH PARALLEL SHAFT DRIVE, OPEN ROTOR STANDARD DIMENSION SHEET			
THE YOUNG INDUSTRIES, INC. HUNCY, PENNSYLVANIA 17756 TELEPHONE: 570-546-3165			
DRAWN BY: BMF	DATE DRAWN: 3/21/16		
CHECKED BY:	SCALE: 1:4		
DRAWING NUMBER	S-4-6428		REV: