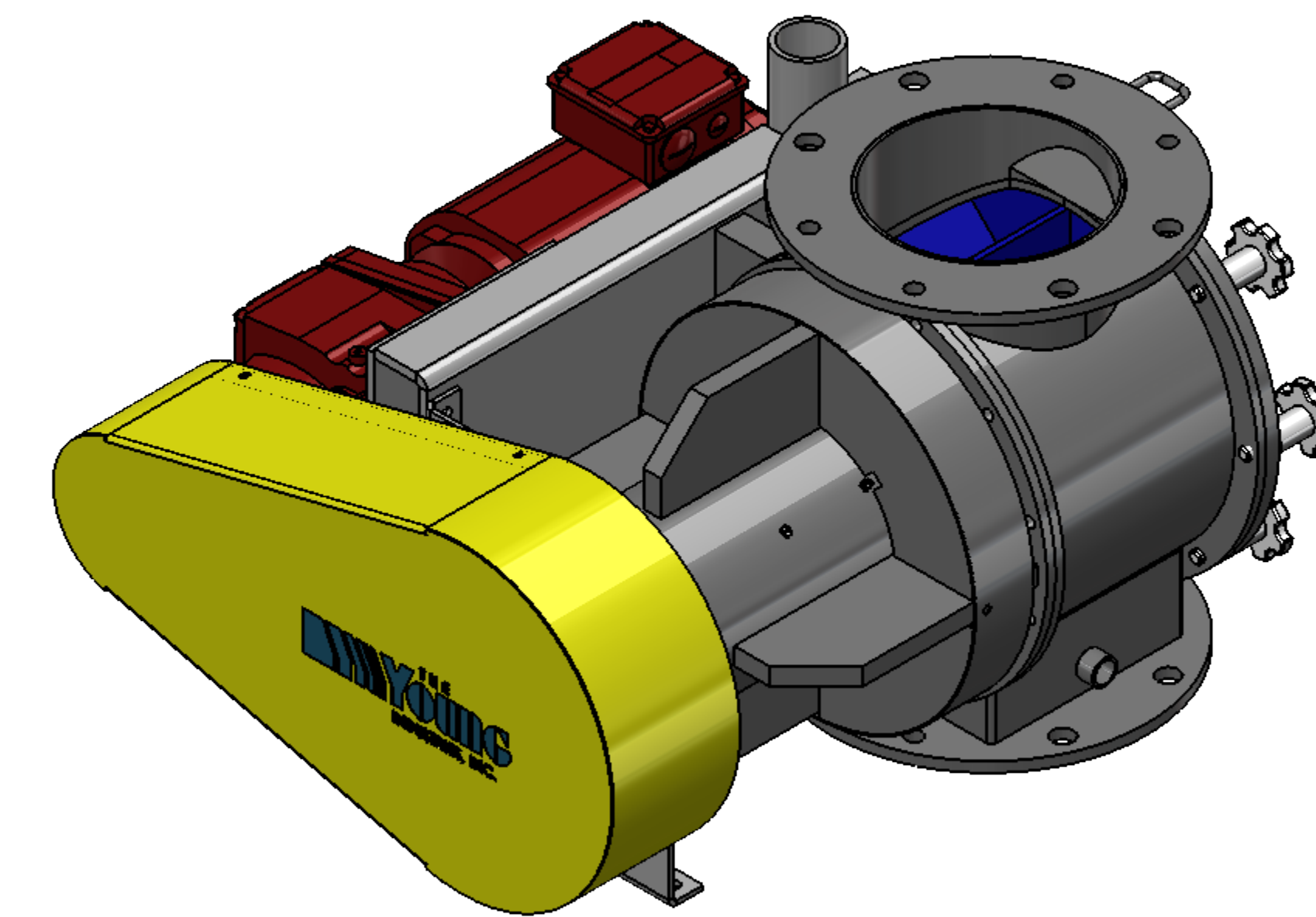
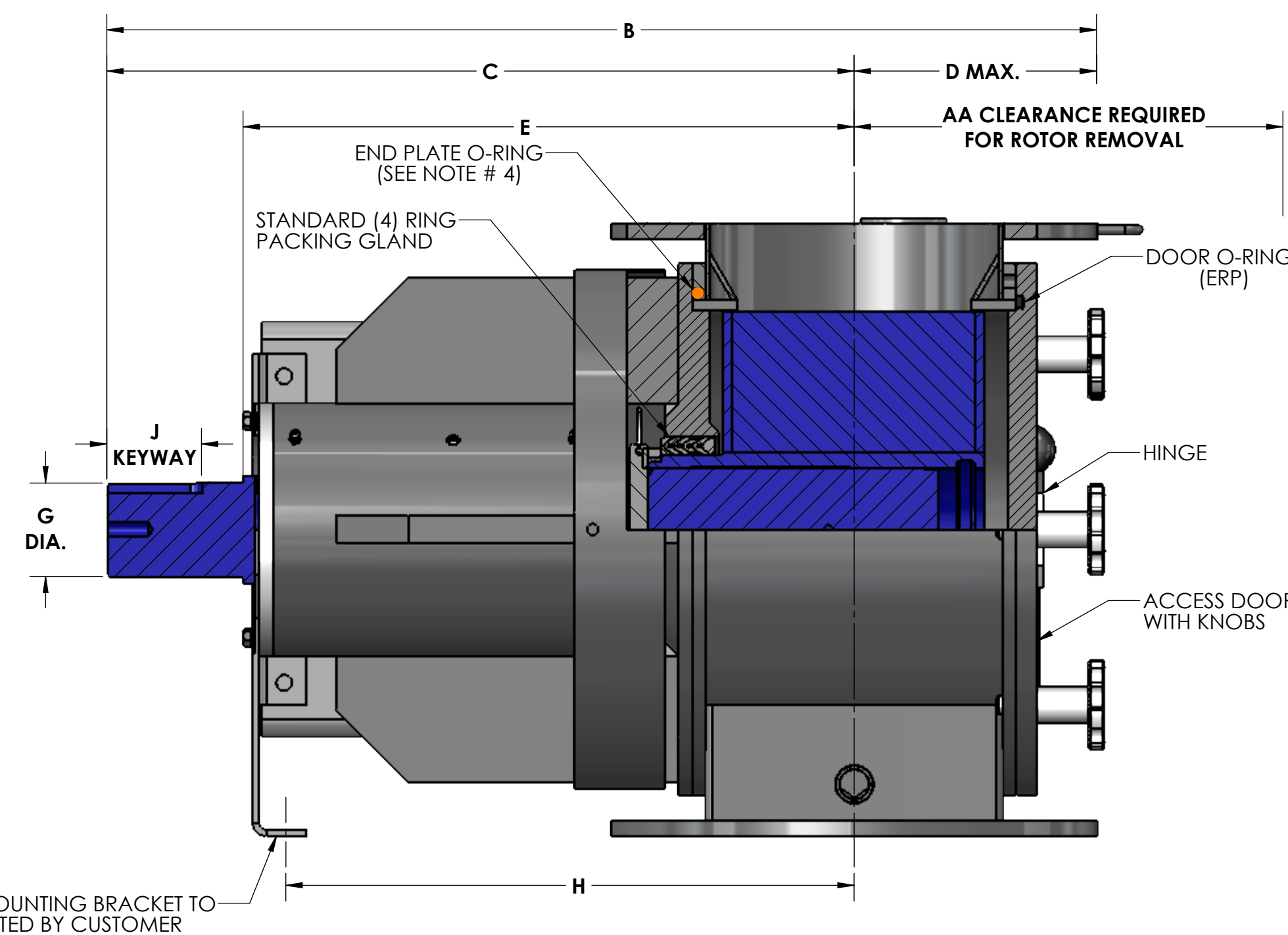
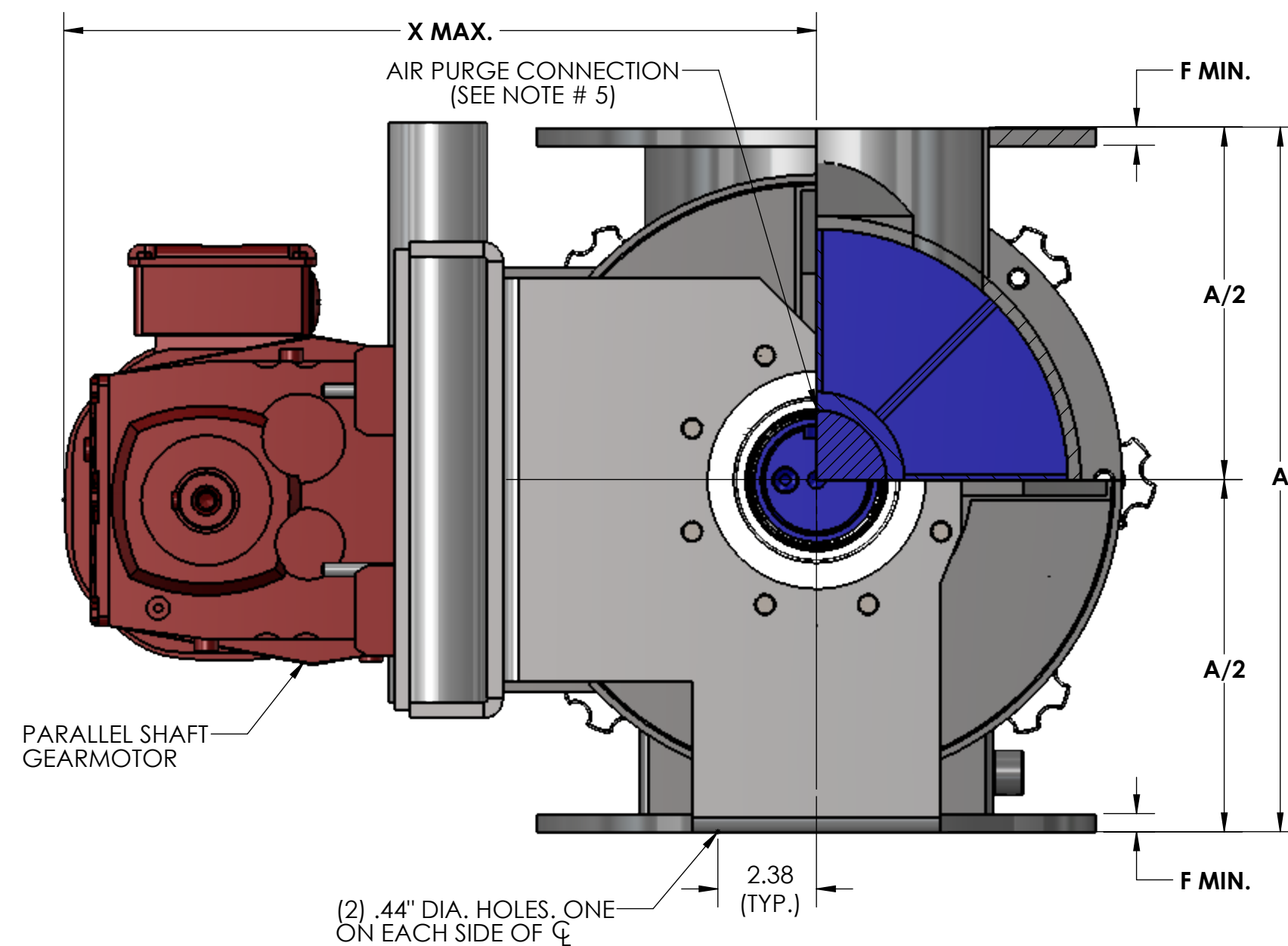


ROTOR SIZES: 4" - 12" - 8 VANES
14" - 24" - 12 VANES



- NOTES:
1. VALVE HOUSINGS ARE CAST OF IRON, STEEL OR STAINLESS STEEL; OR FABRICATED OF STEEL OR STAINLESS STEEL. ALL ROTORS ARE FABRICATED OF STEEL OR STAINLESS STEEL.
 2. VALVE HOUSINGS ARE AVAILABLE WITH ANY COMBINATION OF SQUARE OR ROUND INLET AND OUTLET. USE ROUND OUTLET WITH ANY FREE FLOWING MATERIAL. ROUND FLANGES MATCH 150# ANSI DRILLING.
 3. VALVES ARE DESIGNED FOR 15 PSIG @ INTERNAL PRESSURE AND 5 PSI (MAX) DIFFERENTIAL PRESSURE @ 250 DEGREES F.
 4. END PLATE 'O' RING IS OPTIONAL AND WILL BE FURNISHED ONLY WHEN SPECIFIED. DOOR 'O' RING IS STANDARD.
 5. AIR PURGE CONNECTION IS OPTIONAL AND WILL BE FURNISHED ONLY WHEN SPECIFIED.

SIZE	ROTOR		ROTOR CAPACITY CU. FT. PER REV.					STD RPM	VENT SIZE	STD HP	A	B	C	D	E	F	G	H	J	K	L	M	N	P	Q	R	S	T	U	V	W	X	Y	AA	WEIGHT		ROTOR WEIGHT
	DIA x LG.	AS	BS	CS	DS	C/S	WEIGHT																														
4	6.00 x 3.50	.0374	.0274	.0129	.0343	38	1.25	.50	10.00	19.25	10.31	4.50	7.31	0.31	1.19	1.00	.25 x .12 x 2.62	9.00	7.50	4.00	(8) .75	N/A	7.50	4.00	.62	3.12	N/A	(6) .56	(2) .50-13UNC-2B	14.94	20.38	12.31	255	20			
5	8.00 x 4.50	.0930	.0642	.0440	.0890	38	1.50	.50	12.00	20.50	10.94	8.31	7.94	0.44	1.44	1.25	.38 x .19 x 2.62	10.00	8.50	5.00	(4) .88	(4) .75-10UNC-2B	8.50	5.00	.62	3.62	N/A	(6) .56	(2) .50-13UNC-2B	15.94	20.38	14.50	300	25			
6	10.00 x 5.50	.189	.124	.0795	.184	32	1.50	.50	14.00	22.38	11.88	9.25	8.88	0.44	1.94	1.75	.50 x .25 x 2.62	11.00	9.50	6.00	(4) .88	(4) .75-10UNC-2B	9.50	6.00	.62	4.12	N/A	(6) .56	(2) .50-13UNC-2B	17.00	20.38	17.06	325	30			
8	12.00 x 7.25	.361	.214	.115	.356	32	2.00	.75	17.00	24.38	12.88	10.25	9.88	0.44	1.94	1.75	.50 x .25 x 2.62	13.50	11.75	8.00	(4) .88	(4) .75-10UNC-2B	11.50	8.00	.62	5.12	2.56	(14) .56	(2) .50-13UNC-2B	18.00	20.38	20.31	455	40			
10	15.00 x 9.25	.745	.507	.154	.738	32	2.50	.75	20.00	26.62	13.88	11.25	10.88	0.44	2.19	2.00	.50 x .25 x 2.62	16.00	14.25	10.00	(8) 1.00	(4) .88-9UNC-2B	14.75	10.00	1.00	6.38	3.19	(14) .56	(2) .50-13UNC-2B	19.62	20.38	24.75	585	75			
12	17.00 x 11.25	1.182	.670	.259	1.172	32	2.50	.75	22.00	29.75	15.81	12.44	12.06	0.56	2.44	2.25	.62 x .31 x 3.38	19.00	17.00	12.00	(8) 1.00	(4) .88-9UNC-2B	16.75	12.00	1.00	7.38	3.69	(14) .56	(2) .50-13UNC-2B	20.62	21.38	27.75	860	120			
14	19.00 x 12.25	1.578	.940	.438	1.563	32	3.00	.75	24.00	30.75	16.31	12.94	12.56	0.56	2.44	2.25	.62 x .31 x 3.38	21.00	18.75	13.00	(8) 1.12	(4) 1.00-8UNC-2B	18.00	13.00	1.00	8.00	4.00	(14) .56	(2) .50-13UNC-2B	21.56	21.38	30.25	1210	160			

SPECIFICATIONS ARE SUBJECT TO CHANGE WITHOUT NOTIFICATION

REV. NO.	DESCRIPTION	DATE	BY
REVISIONS			
CUSTOMER			
CUST. NO.			
YOUNG ORDER NO.			
TITLE			
YOUNG INDUSTRIES, INC. MUNCY, PENNSYLVANIA 17756 TELEPHONE: 570-546-3165			
DRAWN BY: BMF	DATE DRAWN: 10/13/17		
CHECKED BY:	SCALE: 1:3.5		
DRAWING NUMBER	S-4-6512		REV: