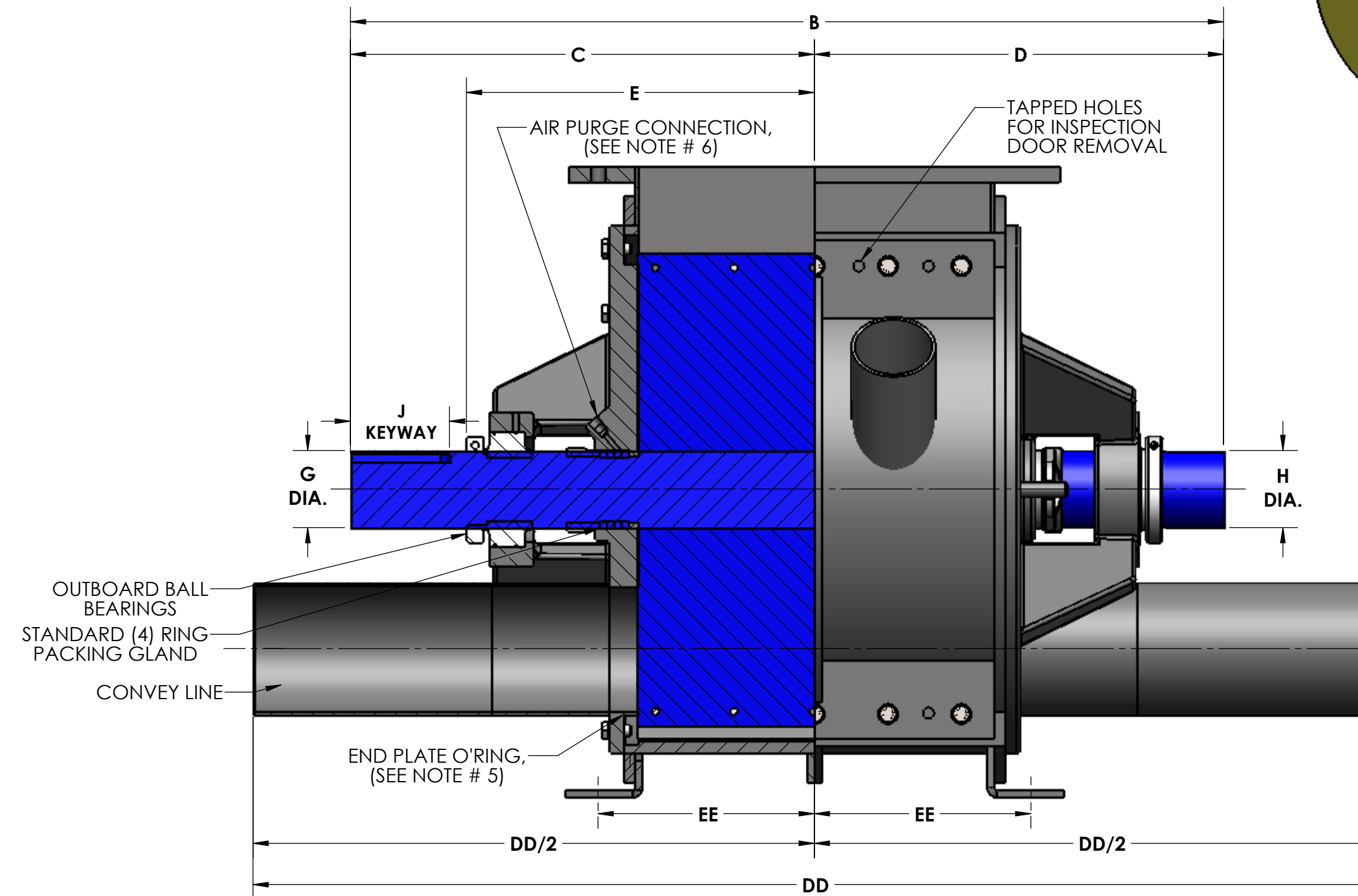
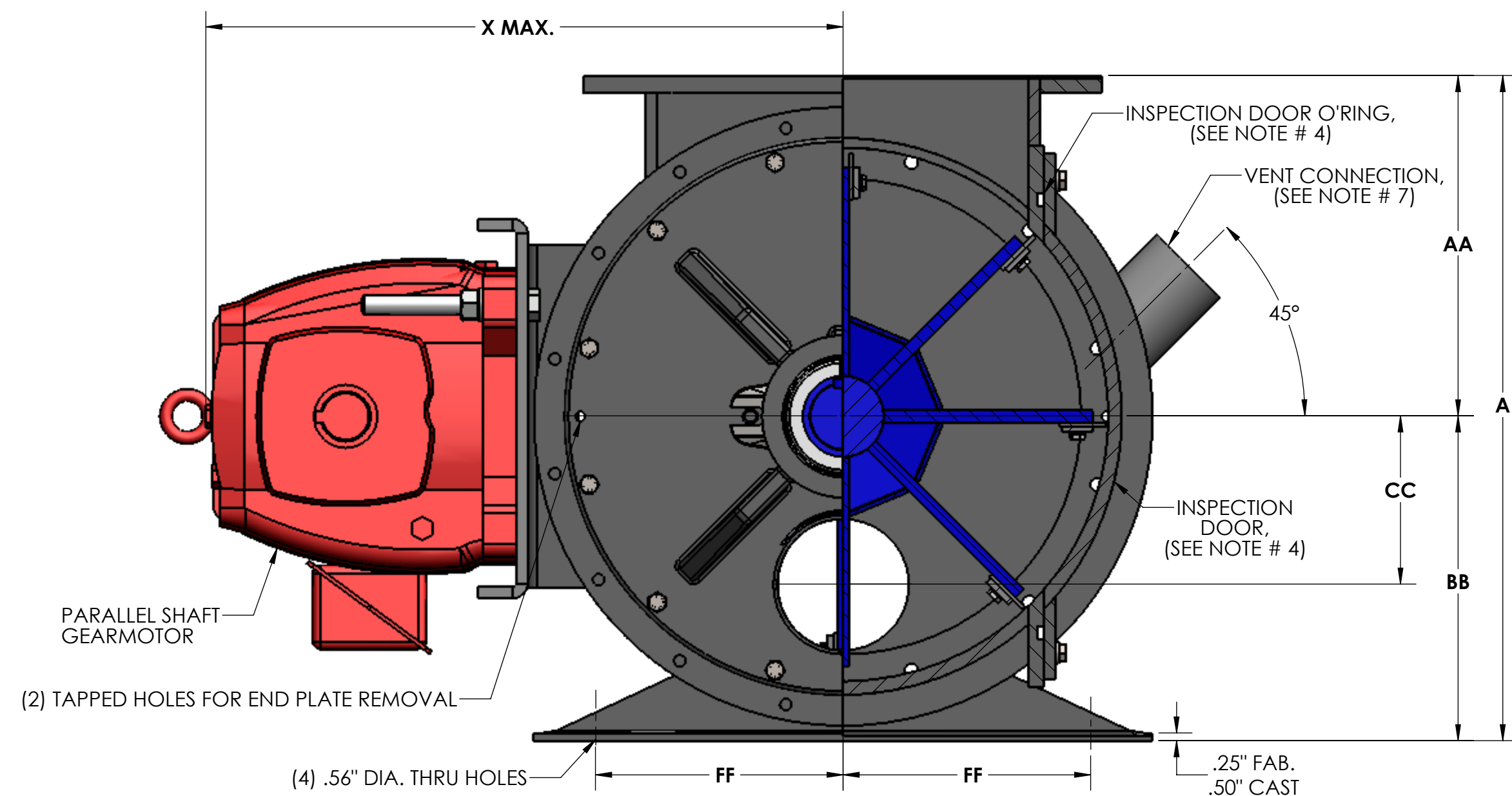
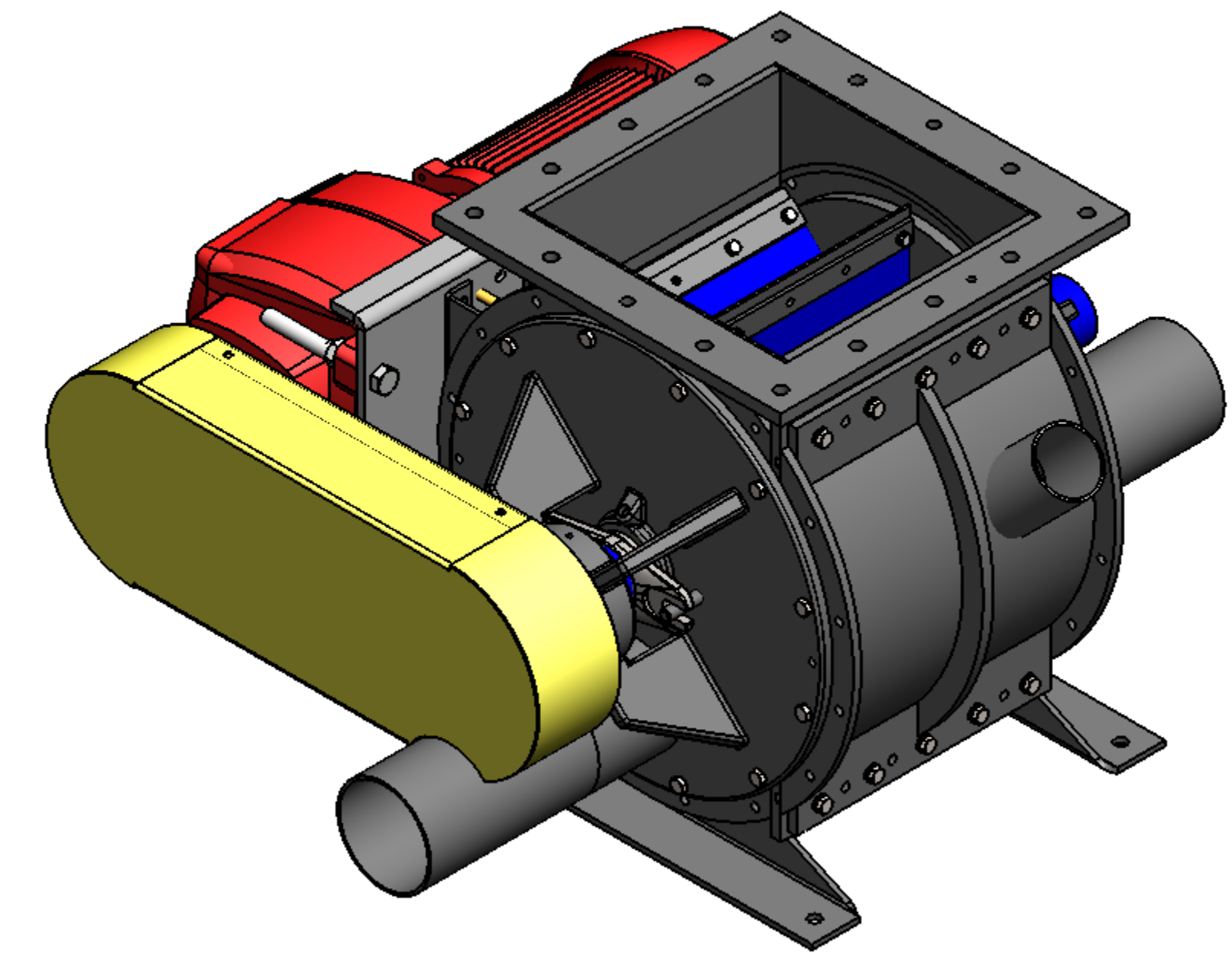


- NOTES:**
1. VALVE HOUSINGS ARE CAST OF IRON OR ALUMINUM. FABRICATED OF STEEL OR STAINLESS STEEL. ALL ROTORS ARE FABRICATED OF STEEL OR STAINLESS STEEL.
  2. VALVE HOUSINGS ARE AVAILABLE WITH EITHER A SQUARE OR ROUND INLET. CONVEY LINES ARE AVAILABLE AS PIPE OR TUBING AND WITH EITHER PLAIN OR FLANGED ENDS. ROUND FLANGES MATCH 150# ANSI DRILLING.
  3. STANDARD HOUSINGS ARE DESIGNED FOR 15 PSI (MAX) INTERNAL & DIFFERENTIAL @ 250 DEGREES F.
  4. INSPECTION DOOR IS OPTIONAL AND WILL BE FURNISHED ONLY WHEN SPECIFIED.
  5. END PLATES AND INSPECTION DOOR O-RINGS ARE OPTIONAL AND WILL BE FURNISHED ONLY WHEN SPECIFIED.
  6. AIR PURGE CONNECTIONS WITH BRASS LANTERN RINGS ARE OPTIONAL AND WILL BE FURNISHED ONLY WHEN SPECIFIED.
  7. VENT WITH SCH 10 PIPE IS OPTIONAL AND WILL BE FURNISHED ONLY WHEN SPECIFIED. VENT CONNECTION WILL CHANGE ROTOR ROTATION TO COUNTER-CLOCKWISE.



Size	ROTOR DIA x LG	CONVEY LINE Q.D. x WALL	CAP. CU. FT./REV. B	STD RPM	VENT STD HP	A	B	C	D	E	F	G	H	J	K	L	M	N	P	Q	R	S	T	U	V	W	X	Y	AA	BB	CC	DD	EE	FF	WEIGHT C/S		
1-BT-4	6 x 4	1.00" x .12"	.0288	.0288	38	1.25	50	9.75	19.25	10.31	7.69	7.31	.31	1.19	1.00	.25 x .12 x 2.62	9.00	7.50	4.00	(4) .75	(4) .62-11UNC-2B	7.50	4.00	.62	3.12	-	(6) .56	(2) .50-13UNC-2B	13.00	21.00	5.00	4.75	2.75	28.25	3.00	3.00	205
1.25-BT-4	6 x 4	1.25" x .12"	.0349	.0349	38	1.25	50	9.75	19.25	10.31	7.69	7.31	.31	1.19	1.00	.25 x .12 x 2.63	9.00	7.50	4.00	(4) .75	(4) .62-11UNC-2B	7.50	4.00	.62	3.12	-	(6) .56	(2) .50-13UNC-2B	13.00	21.00	5.00	4.75	2.62	28.25	3.00	3.00	210
1.50-BT-5	8 x 5	1.50" x .12"	.0762	.0762	38	1.50	50	11.75	20.50	10.94	8.31	7.94	.44	1.44	1.25	.38 x .19 x 2.62	10.00	8.50	5.00	(4) .88	(4) .75-10UNC-2B	8.50	5.00	.62	3.62	-	(6) .56	(2) .50-13UNC-2B	13.75	21.00	6.00	5.75	3.47	29.25	3.50	4.00	260
2-BT-5	8 x 5	2.00" x .12"	.0942	.0942	38	1.50	50	11.75	20.50	10.94	8.31	7.94	.44	1.44	1.25	.38 x .19 x 2.63	10.00	8.50	5.00	(4) .88	(4) .75-10UNC-2B	8.50	5.00	.62	3.62	-	(6) .56	(2) .50-13UNC-2B	13.75	21.00	6.00	5.75	3.22	29.25	3.50	4.00	265
2.50-BT-6	10 x 6	2.50" x .12"	.1838	.1838	32	1.50	50	13.75	22.38	11.88	9.25	8.88	.44	1.94	1.75	.50 x .25 x 2.62	11.00	9.50	6.00	(4) .88	(4) .75-10UNC-2B	9.50	6.00	.62	4.12	-	(6) .56	(2) .50-13UNC-2B	14.75	22.00	7.00	6.75	3.97	32.25	4.00	5.00	310
3-BT-8	12 x 8	3.00" x .12"	.3464	.3464	32	2.00	75	16.50	24.38	12.88	10.25	9.88	.44	1.94	1.75	.50 x .25 x 2.63	13.50	11.75	8.00	(4) .88	(4) .75-10UNC-2B	11.50	8.00	.62	5.12	2.56	(14) .56	(2) .50-13UNC-2B	15.88	22.00	8.50	8.00	4.72	34.25	5.00	6.00	385
3.50-BT-8	12 x 8	3.50" x .12"	.3796	.3796	32	2.00	75	16.50	24.38	12.88	10.25	9.88	.44	1.94	1.75	.50 x .25 x 2.64	13.50	11.75	8.00	(4) .88	(4) .75-10UNC-2B	11.50	8.00	.62	5.12	2.56	(14) .56	(2) .50-13UNC-2B	15.88	22.00	8.50	8.00	4.47	34.25	5.00	6.00	390
4-BT-10	15 x 10	4.00" x .12"	.7283	.7283	32	2.50	75	19.50	26.62	13.88	11.25	10.88	.44	2.19	2.00	.50 x .25 x 2.65	16.00	14.25	10.00	(8) 1.00	(4) .88-9UNC-2B	14.75	10.00	1.00	6.38	3.19	(14) .56	(2) .50-13UNC-2B	17.75	22.00	10.00	9.50	5.72	36.25	6.00	8.00	520
5-BT-12	17 x 12	5.00" x .12"	1.205	1.205	32	2.50	75	21.50	29.75	15.81	12.44	12.06	.56	2.44	2.25	.62 x .31 x 3.40	19.00	17.00	12.00	(8) 1.00	(4) .88-9UNC-2B	16.75	12.00	1.00	7.38	3.69	(14) .56	(2) .50-13UNC-2B	18.75	22.00	11.00	10.50	6.22	40.25	7.38	9.00	660
6-BT-14	19 x 13	6.00" x .12"	1.688	1.688	32	3.00	75	23.50	30.75	16.31	12.94	12.56	.56	2.44	2.25	.62 x .31 x 3.41	21.00	18.75	13.00	(8) 1.12	(4) 1.00-8UNC	18.00	13.00	1.00	8.00	4.00	(14) .56	(2) .50-13UNC-2B	19.75	22.00	12.00	11.50	6.72	42.25	7.62	10.00	885

SPECIFICATIONS ARE SUBJECT TO CHANGE WITHOUT NOTIFICATION

REV. NO.	DESCRIPTION	DATE	BY
REVISIONS			
CUSTOMER			
CUST. NO.			
YOUNG ORDER NO.			
TITLE			
<b>THE YOUNG INDUSTRIES, INC.</b> HUNCY, PENNSYLVANIA 17756 TELEPHONE: 570-546-3165			
DRAWN BY: BMF	DATE DRAWN: 3/21/16		
CHECKED BY:	SCALE: 1:4		
DRAWING NUMBER	S-4-7630		REV:

GENERAL TOLERANCES	
UNLESS OTHERWISE SPECIFIED THE FOLLOWING SHALL APPLY	
MACHINING - .XX = .02 XXXX = .005 ANGLE = .50°	
SURFACE ROUGHNESS HEIGHT 63 MICRONS OR LESS	
FABRICATION - UNDER 6" 6 TO 24" 24 TO 60" OVER 60"	
± .06 ± .12 ± .19 ± .25	
UNLESS OTHERWISE SPECIFIED DIMENSIONS ARE IN INCHES	