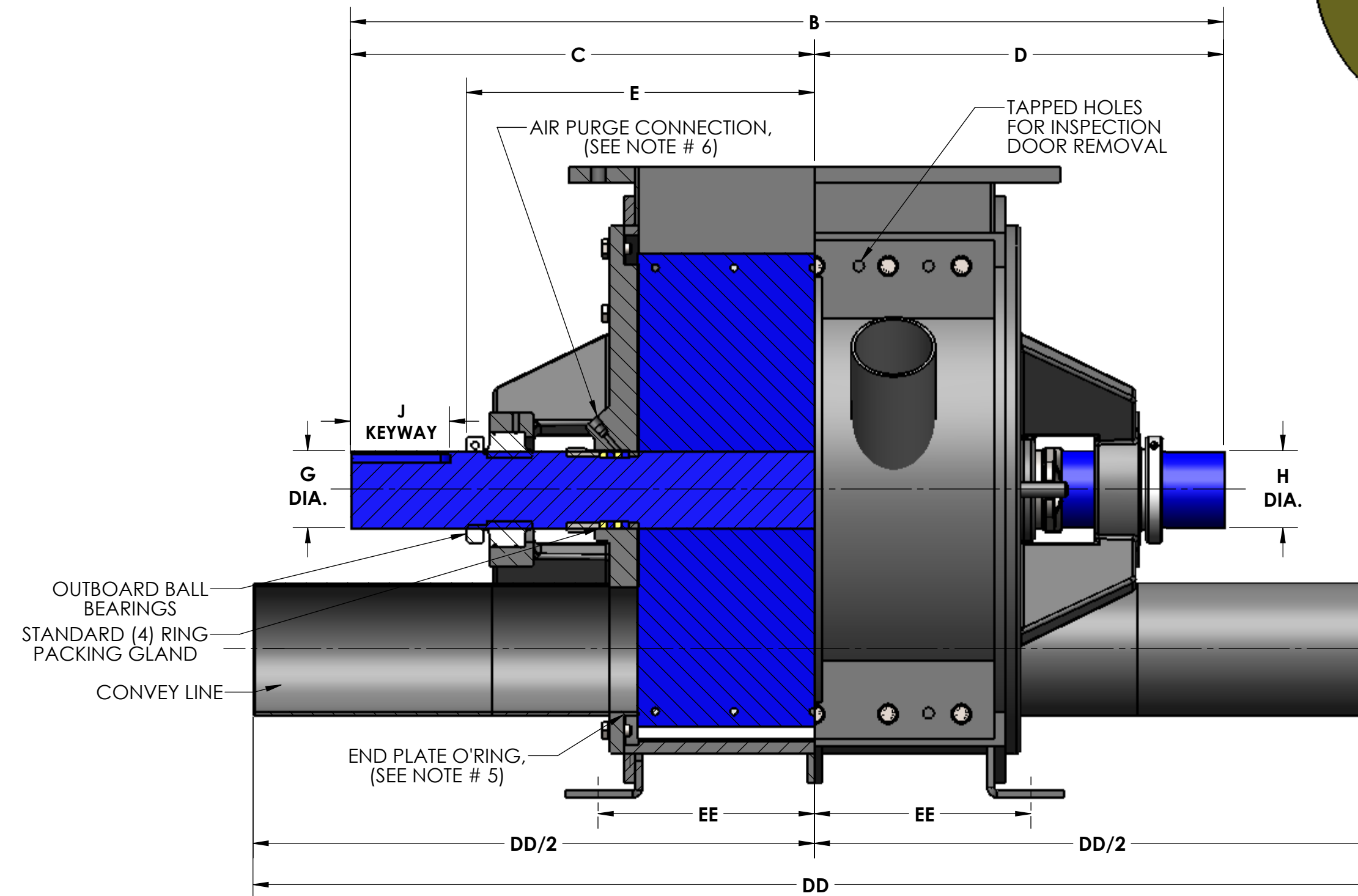
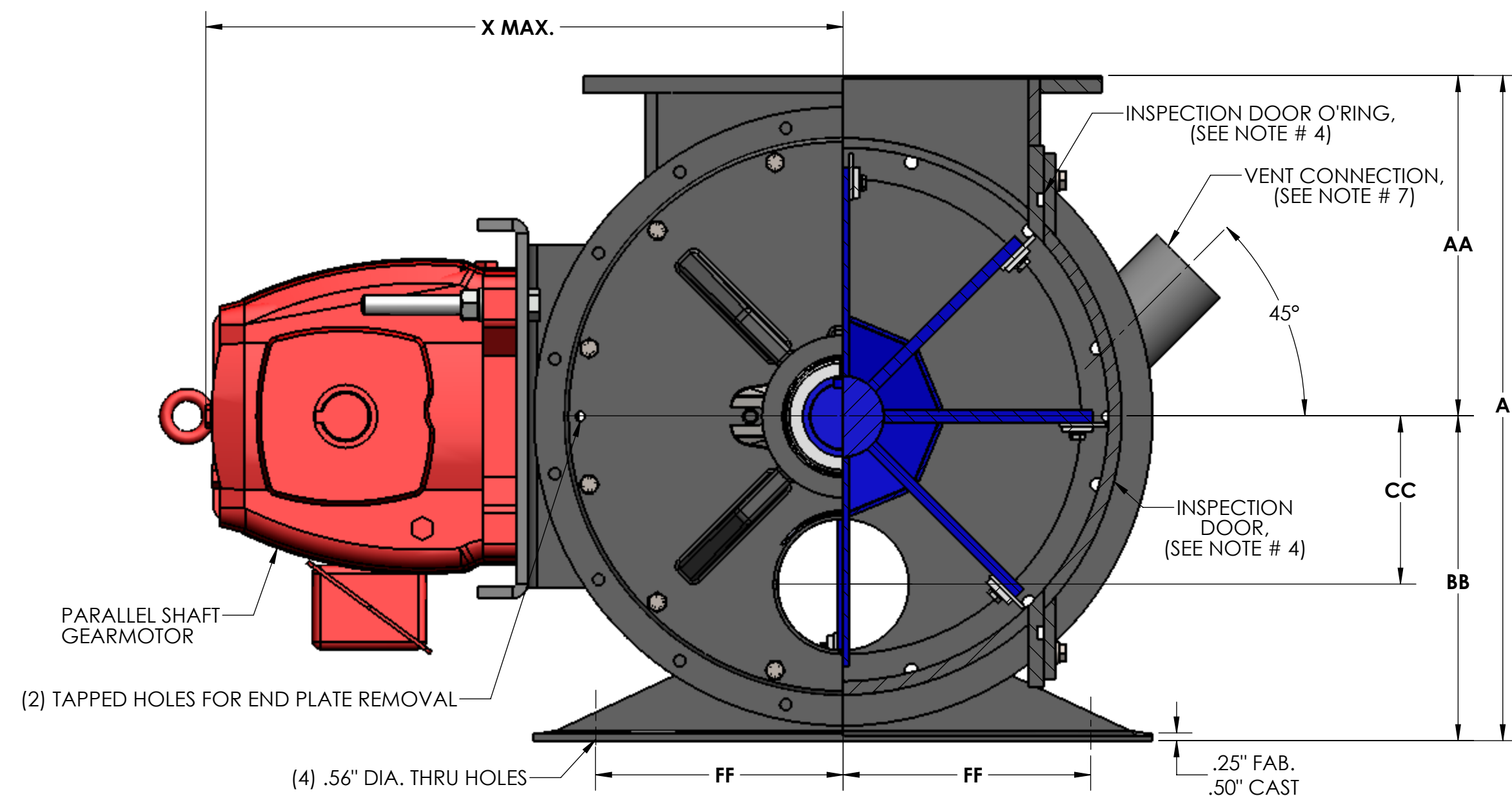
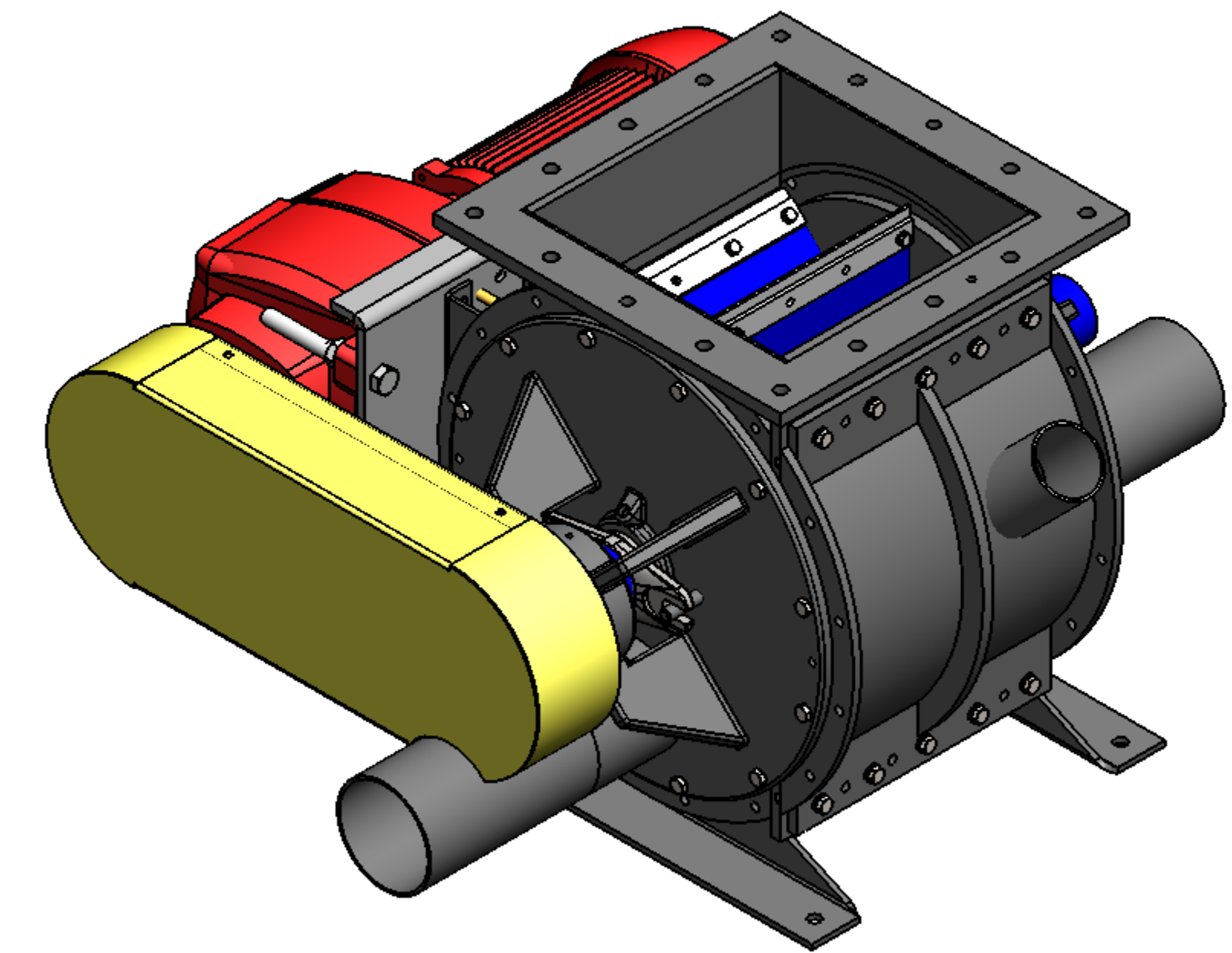


- NOTES:**
1. VALVE HOUSINGS ARE CAST OF IRON OR ALUMINUM. FABRICATED OF STEEL OR STAINLESS STEEL. ALL ROTORS ARE FABRICATED OF STEEL OR STAINLESS STEEL.
  2. VALVE HOUSINGS ARE AVAILABLE WITH EITHER A SQUARE OR ROUND INLET. CONVEY LINES ARE AVAILABLE AS PIPE OR TUBING AND WITH EITHER PLAIN OR FLANGED ENDS. ROUND FLANGES MATCH 150# ANSI DRILLING.
  3. STANDARD HOUSINGS ARE DESIGNED FOR 15 PSI (MAX) INTERNAL & DIFFERENTIAL @ 250 DEGREES F.
  4. INSPECTION DOOR IS OPTIONAL AND WILL BE FURNISHED ONLY WHEN SPECIFIED.
  5. END PLATES AND INSPECTION DOOR O-RINGS ARE OPTIONAL AND WILL BE FURNISHED ONLY WHEN SPECIFIED.
  6. AIR PURGE CONNECTIONS WITH BRASS LANTERN RINGS ARE OPTIONAL AND WILL BE FURNISHED ONLY WHEN SPECIFIED.
  7. VENT WITH SCH 10 PIPE IS OPTIONAL AND WILL BE FURNISHED ONLY WHEN SPECIFIED. VENT CONNECTION WILL CHANGE ROTOR ROTATION TO COUNTER-CLOCKWISE.



| Size      | ROTOR DIA x LG. | CONVEY LINE Q.D. x WALL | CAP. CU. FT./REV. B | STD RPM | VENT SIZE | STD HP | A  | B     | C     | D     | E     | F     | G   | H    | J    | K                | L     | M     | N     | P        | Q                | R     | S     | T    | U    | V    | W        | X                | Y     | AA    | BB    | CC    | DD   | EE    | FF   | WEIGHT C/S |     |
|-----------|-----------------|-------------------------|---------------------|---------|-----------|--------|----|-------|-------|-------|-------|-------|-----|------|------|------------------|-------|-------|-------|----------|------------------|-------|-------|------|------|------|----------|------------------|-------|-------|-------|-------|------|-------|------|------------|-----|
| 1-BT-4    | 6 x 4           | 1.00" x .12"            | .0288               | .0288   | 38        | 1.25   | 50 | 9.75  | 19.25 | 10.31 | 7.69  | 7.31  | .31 | 1.19 | 1.00 | .25 x .12 x 2.62 | 9.00  | 7.50  | 4.00  | (4) .75  | (4) .62-11UNC-2B | 7.50  | 4.00  | .62  | 3.12 | -    | (6) .56  | (2) .50-13UNC-2B | 13.00 | 21.00 | 5.00  | 4.75  | 2.75 | 28.25 | 3.00 | 3.00       | 205 |
| 1.25-BT-4 | 6 x 4           | 1.25" x .12"            | .0349               | .0349   | 38        | 1.25   | 50 | 9.75  | 19.25 | 10.31 | 7.69  | 7.31  | .31 | 1.19 | 1.00 | .25 x .12 x 2.63 | 9.00  | 7.50  | 4.00  | (4) .75  | (4) .62-11UNC-2B | 7.50  | 4.00  | .62  | 3.12 | -    | (6) .56  | (2) .50-13UNC-2B | 13.00 | 21.00 | 5.00  | 4.75  | 2.62 | 28.25 | 3.00 | 3.00       | 210 |
| 1.50-BT-5 | 8 x 5           | 1.50" x .12"            | .0762               | .0762   | 38        | 1.50   | 50 | 11.75 | 20.50 | 10.94 | 8.31  | 7.94  | .44 | 1.44 | 1.25 | .38 x .19 x 2.62 | 10.00 | 8.50  | 5.00  | (4) .88  | (4) .75-10UNC-2B | 8.50  | 5.00  | .62  | 3.62 | -    | (6) .56  | (2) .50-13UNC-2B | 13.75 | 21.00 | 6.00  | 5.75  | 3.47 | 29.25 | 3.50 | 4.00       | 260 |
| 2-BT-5    | 8 x 5           | 2.00" x .12"            | .0942               | .0942   | 38        | 1.50   | 50 | 11.75 | 20.50 | 10.94 | 8.31  | 7.94  | .44 | 1.44 | 1.25 | .38 x .19 x 2.63 | 10.00 | 8.50  | 5.00  | (4) .88  | (4) .75-10UNC-2B | 8.50  | 5.00  | .62  | 3.62 | -    | (6) .56  | (2) .50-13UNC-2B | 13.75 | 21.00 | 6.00  | 5.75  | 3.22 | 29.25 | 3.50 | 4.00       | 265 |
| 2.50-BT-6 | 10 x 6          | 2.50" x .12"            | .1838               | .1838   | 32        | 1.50   | 50 | 13.75 | 22.38 | 11.88 | 9.25  | 8.88  | .44 | 1.94 | 1.75 | .50 x .25 x 2.62 | 11.00 | 9.50  | 6.00  | (4) .88  | (4) .75-10UNC-2B | 9.50  | 6.00  | .62  | 4.12 | -    | (6) .56  | (2) .50-13UNC-2B | 14.75 | 22.00 | 7.00  | 6.75  | 3.97 | 32.25 | 4.00 | 5.00       | 310 |
| 3-BT-8    | 12 x 8          | 3.00" x .12"            | .3464               | .3464   | 32        | 2.00   | 75 | 16.50 | 24.38 | 12.88 | 10.25 | 9.88  | .44 | 1.94 | 1.75 | .50 x .25 x 2.63 | 13.50 | 11.75 | 8.00  | (4) .88  | (4) .75-10UNC-2B | 11.50 | 8.00  | .62  | 5.12 | 2.56 | (14) .56 | (2) .50-13UNC-2B | 15.88 | 22.00 | 8.50  | 8.00  | 4.72 | 34.25 | 5.00 | 6.00       | 385 |
| 3.50-BT-8 | 12 x 8          | 3.50" x .12"            | .3796               | .3796   | 32        | 2.00   | 75 | 16.50 | 24.38 | 12.88 | 10.25 | 9.88  | .44 | 1.94 | 1.75 | .50 x .25 x 2.64 | 13.50 | 11.75 | 8.00  | (4) .88  | (4) .75-10UNC-2B | 11.50 | 8.00  | .62  | 5.12 | 2.56 | (14) .56 | (2) .50-13UNC-2B | 15.88 | 22.00 | 8.50  | 8.00  | 4.47 | 34.25 | 5.00 | 6.00       | 390 |
| 4-BT-10   | 15 x 10         | 4.00" x .12"            | .7283               | .7283   | 32        | 2.50   | 75 | 19.50 | 26.62 | 13.88 | 11.25 | 10.88 | .44 | 2.19 | 2.00 | .50 x .25 x 2.65 | 16.00 | 14.25 | 10.00 | (8) 1.00 | (4) .88-9UNC-2B  | 14.75 | 10.00 | 1.00 | 6.38 | 3.19 | (14) .56 | (2) .50-13UNC-2B | 17.75 | 22.00 | 10.00 | 9.50  | 5.72 | 36.25 | 6.00 | 8.00       | 520 |
| 5-BT-12   | 17 x 12         | 5.00" x .12"            | 1.205               | 1.205   | 32        | 2.50   | 75 | 21.50 | 29.75 | 15.81 | 12.44 | 12.06 | .56 | 2.44 | 2.25 | .62 x .31 x 3.40 | 19.00 | 17.00 | 12.00 | (8) 1.00 | (4) .88-9UNC-2B  | 16.75 | 12.00 | 1.00 | 7.38 | 3.69 | (14) .56 | (2) .50-13UNC-2B | 18.75 | 22.00 | 11.00 | 10.50 | 6.22 | 40.25 | 7.38 | 9.00       | 660 |
| 6-BT-14   | 19 x 13         | 6.00" x .12"            | 1.688               | 1.688   | 32        | 3.00   | 75 | 23.50 | 30.75 | 16.31 | 12.94 | 12.56 | .56 | 2.44 | 2.25 | .62 x .31 x 3.41 | 21.00 | 18.75 | 13.00 | (8) 1.12 | (4) 1.00-8UNC    | 18.00 | 13.00 | 1.00 | 8.00 | 4.00 | (14) .56 | (2) .50-13UNC-2B | 19.75 | 22.00 | 12.00 | 11.50 | 6.72 | 42.25 | 7.62 | 10.00      | 885 |

SPECIFICATIONS ARE SUBJECT TO CHANGE WITHOUT NOTIFICATION

| REV. NO.                                                                       | DESCRIPTION | DATE                | BY |
|--------------------------------------------------------------------------------|-------------|---------------------|----|
| REVISIONS                                                                      |             |                     |    |
| CUSTOMER                                                                       |             |                     |    |
| CUST. NO.                                                                      |             |                     |    |
| YOUNG ORDER NO.                                                                |             |                     |    |
| TITLE                                                                          |             |                     |    |
|                                                                                |             |                     |    |
| YOUNG INDUSTRIES, INC.<br>HUNCY, PENNSYLVANIA 17756<br>TELEPHONE: 570-546-3165 |             |                     |    |
| DRAWN BY: BMF                                                                  |             | DATE DRAWN: 3/21/16 |    |
| CHECKED BY:                                                                    |             | SCALE: 1:4          |    |
| DRAWING NUMBER                                                                 |             | REV:                |    |
| S-4-7631                                                                       |             |                     |    |

| GENERAL TOLERANCES                                   |  |
|------------------------------------------------------|--|
| UNLESS OTHERWISE SPECIFIED THE FOLLOWING SHALL APPLY |  |
| MACHINING - .XX = .02 XXX = .005 ANGLE = .50°        |  |
| SURFACE ROUGHNESS HEIGHT 63 MICRONS OR LESS          |  |
| FABRICATION - UNDER 6 TO 24 24 TO 60 OVER 60         |  |
| ± .06 ± .12 ± .19 ± .25                              |  |
| UNLESS OTHERWISE SPECIFIED DIMENSIONS ARE IN INCHES  |  |