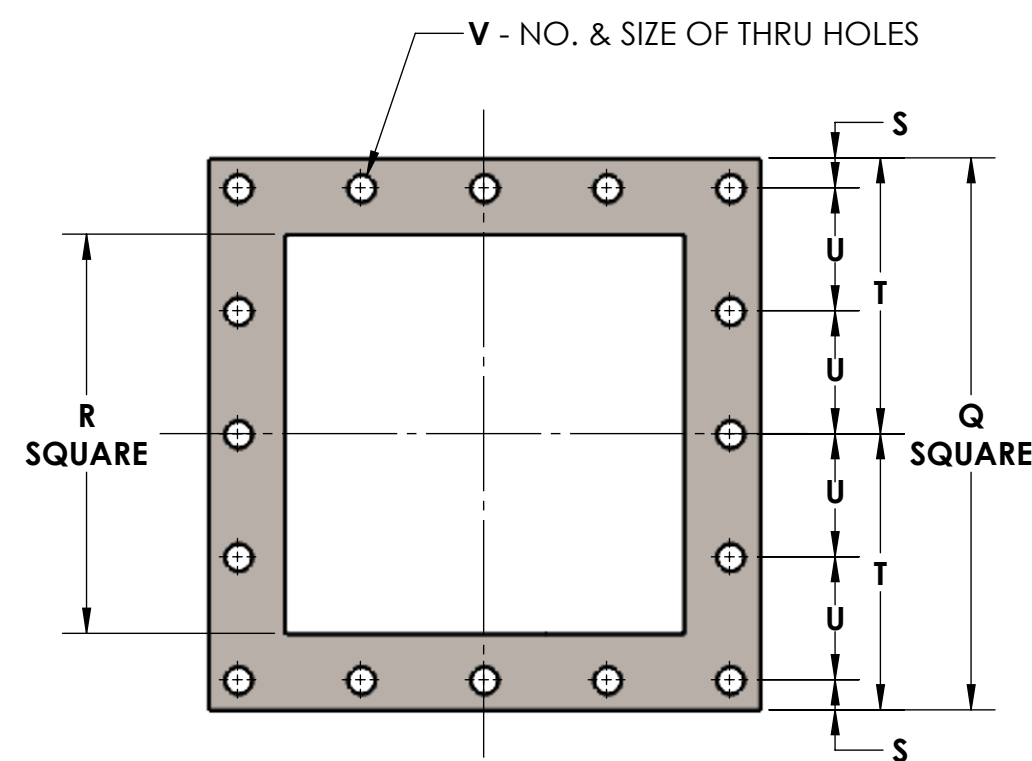
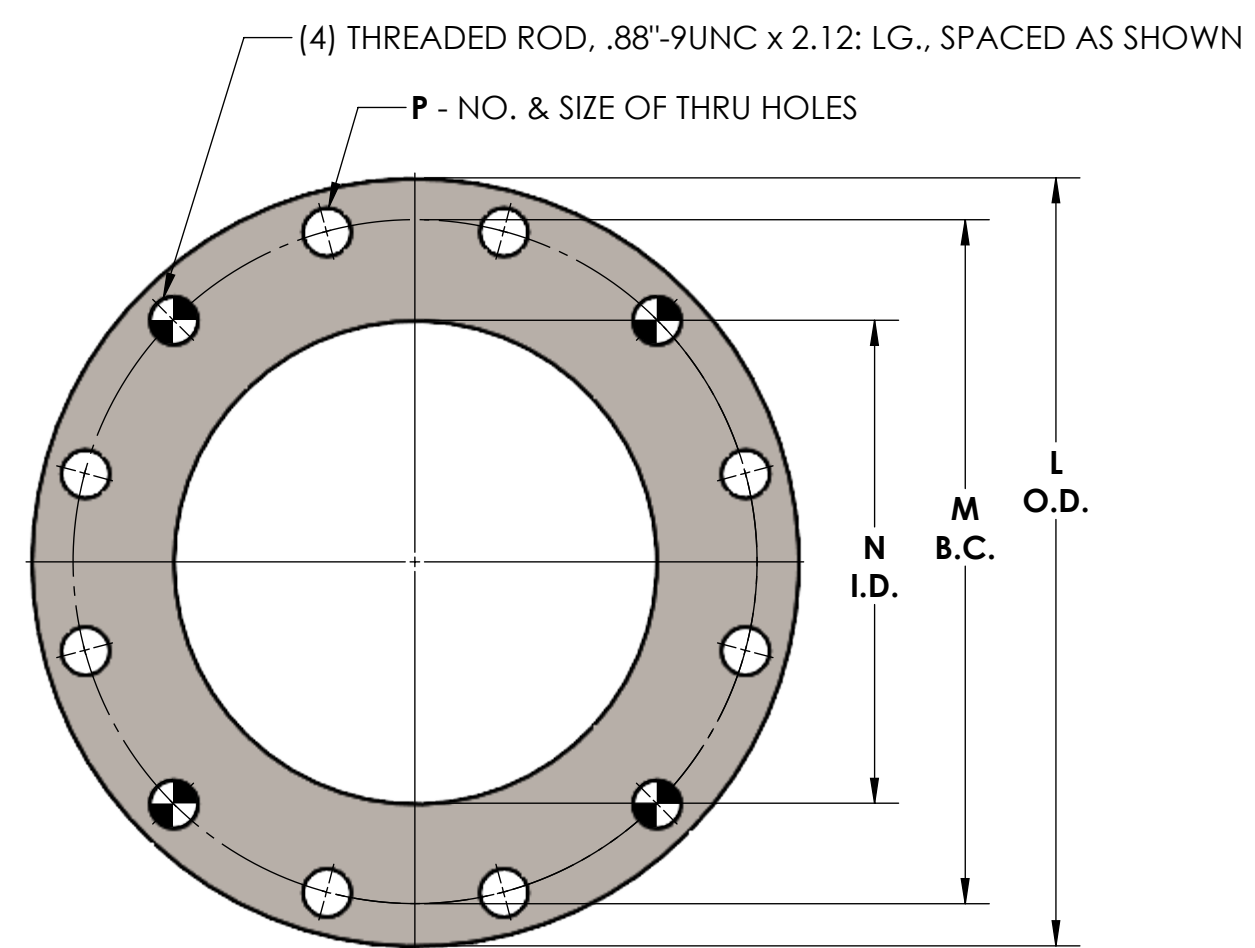


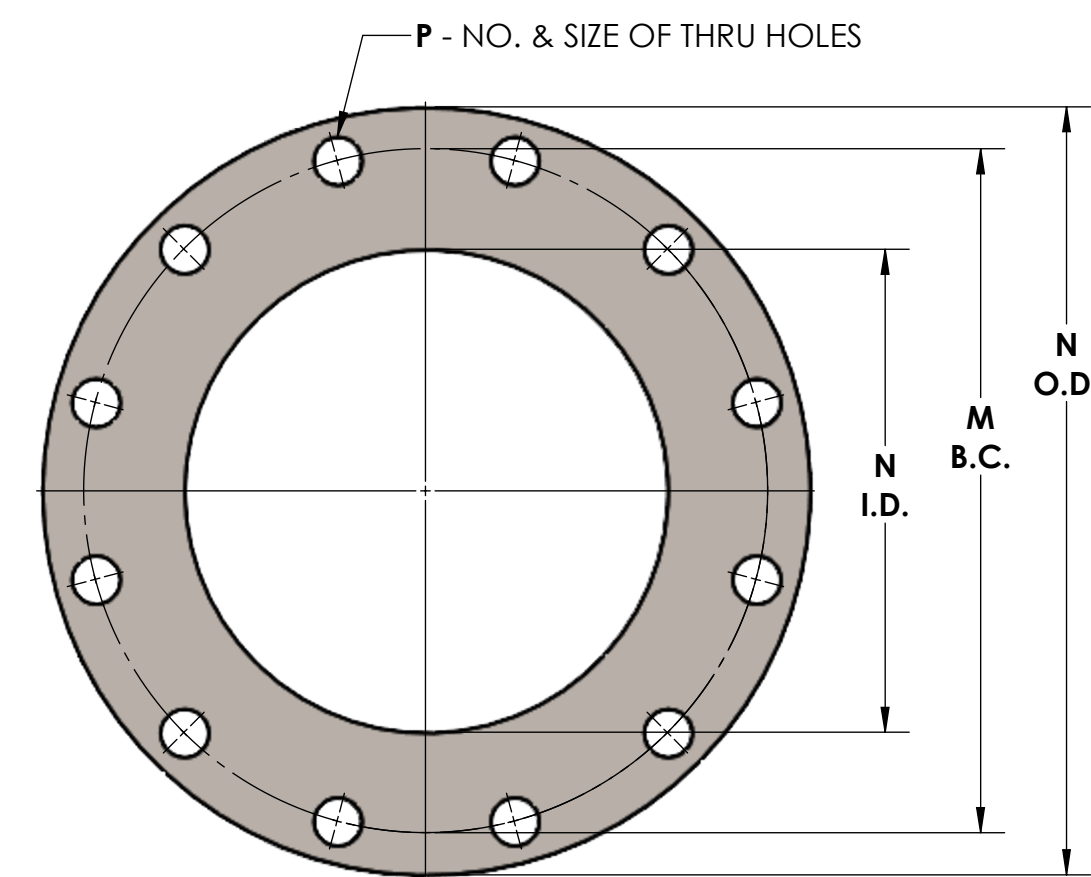
**ROUND INLET & OUTLET FLANGE DETAIL**  
SIZES 4" THRU 8" ONLY  
150# ANSI DRILLING



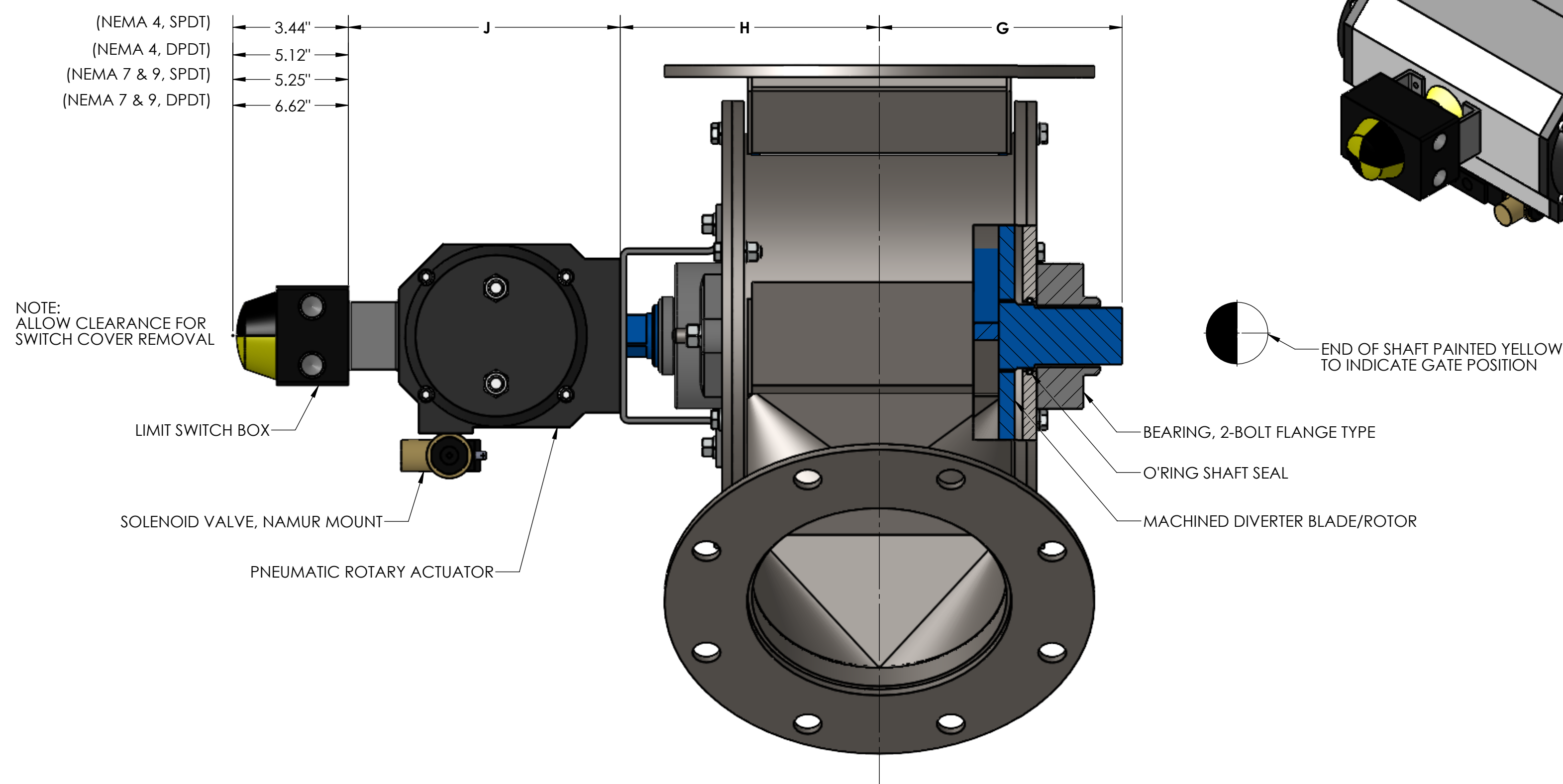
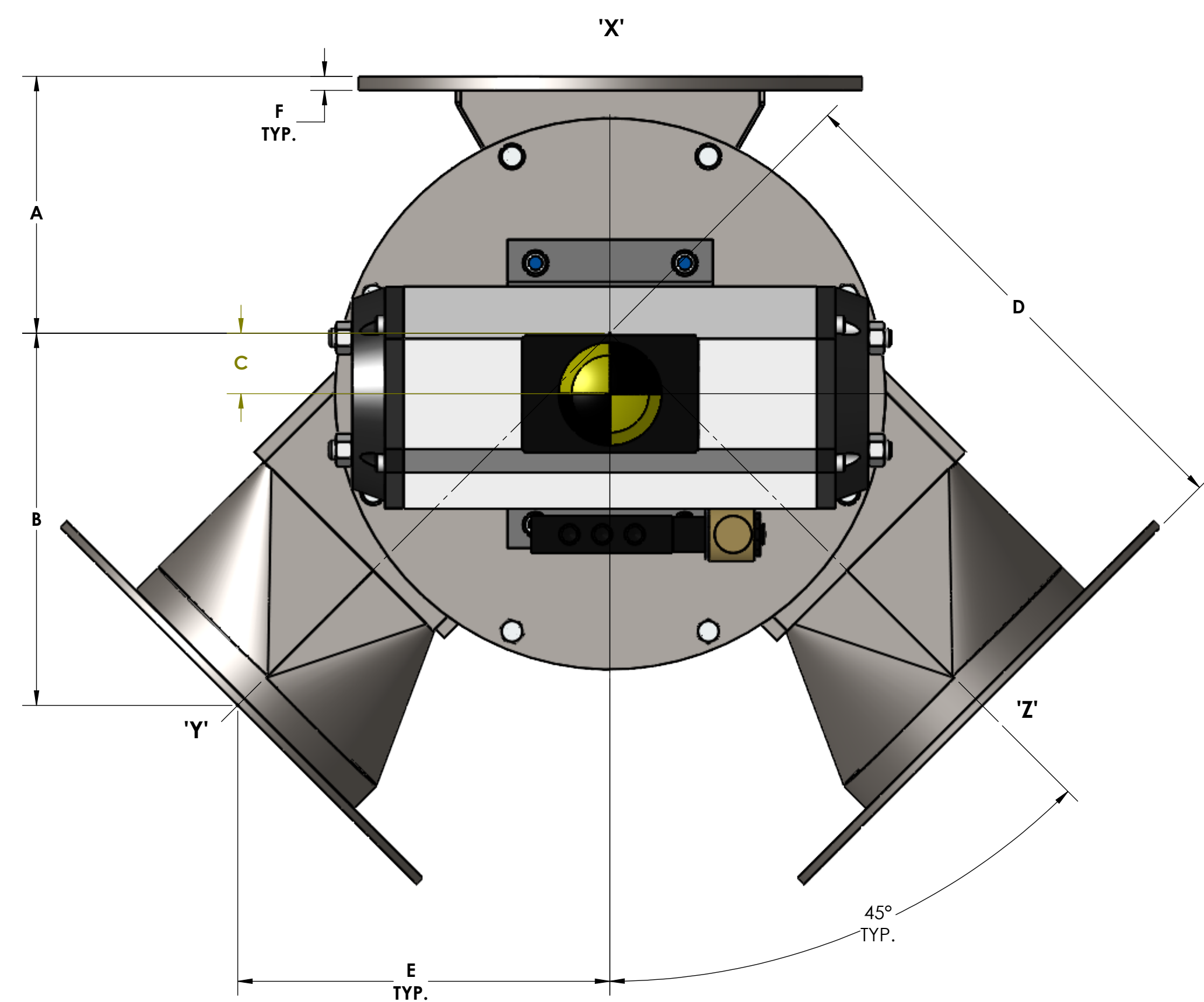
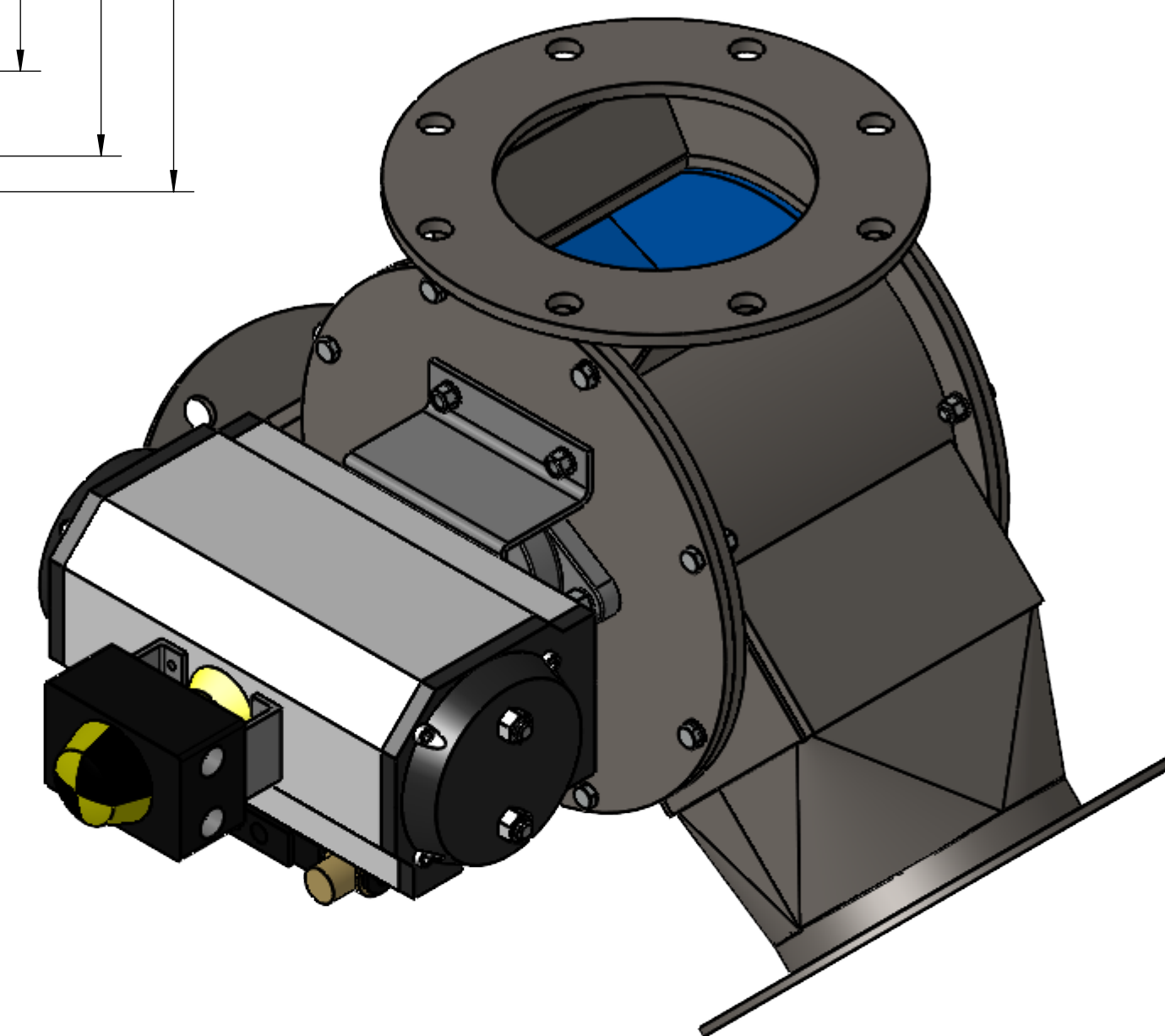
**SQUARE INLET & OUTLET FLANGE DETAIL**



**ROUND INLET FLANGE DETAIL**  
SIZES 10" AND 12" ONLY  
150# ANSI DRILLING



**ROUND OUTLET FLANGE DETAIL**  
SIZES 10" AND 12" ONLY  
150# ANSI DRILLING



NOTE: ALLOW CLEARANCE FOR SWITCH COVER REMOVAL

CERTIFICATION	
CUSTOMER: _____	CUSTOMER NO: _____
	Y.I. ORDER NO: _____
	QUANTITY: _____
MATERIALS OF CONSTRUCTION:	SOLENOIDS:
HOUSING: _____	TYPE: _____
SIDE PLATES: _____	VOLTAGE: _____
GATE: _____	ENCLOSURE: _____
SHAFT: _____	
SEAL MATERIALS:	LIMIT SWITCHES:
HOUSING: _____	TYPE: _____
GATE: _____	
SHAFT: _____	ENCLOSURE: _____
TYPES OF ENDS:	REMARKS: _____
X: _____	
Y: _____	
Z: _____	
DIMENSIONS ON THIS DRAWING ARE CERTIFIED CORRECT FOR THIS ORDER	
PER: _____	DATE: _____
VALVE IS DESIGNED FOR 2 PSIG (MAX) PRESSURE @250°F	

SIZE	A	B	C	D	E	F	G	H	J	L	M	N	P	Q	R	S	T	U	V
4	4.69	6.38	.38	9.00	6.38	.25	4.75	5.25	5.59	9.00	7.50	4.00	(8).75	7.50	4.00	.62	3.12	-	(8).56
5	5.62	7.38	.81	10.44	7.38	.25	5.25	5.75	5.59	10.00	8.50	5.00	(8).88	8.50	5.00	.62	3.62	-	(8).56
6	6.19	8.25	1.19	11.69	8.25	.25	5.75	6.25	5.59	11.00	9.50	6.00	(8).88	9.50	6.00	.62	4.12	-	(8).56
8	6.88	9.88	1.62	14.00	9.88	.38	7.50	8.00	9.38	13.50	11.75	8.00	(8).88	11.50	8.00	.62	5.12	2.56	(16).56
10	8.00	11.31	1.88	16.00	11.31	.38	8.50	9.00	9.38	16.00	14.25	10.00	(12)1.00	14.75	10.00	1.00	6.38	3.19	(16).56
12	10.00	12.62	2.12	17.88	12.62	.38	9.50	10.00	9.38	19.00	17.00	12.00	(12)1.00	16.75	12.00	1.00	7.38	3.69	(16).56

- NOTES:**
- VALVES ARE FABRICATED CONSTRUCTION, AVAILABLE IN STEEL, ALUMINUM AND STAINLESS STEEL
  - VALVES ARE AVAILABLE WITH ROUND OR SQUARE FLANGED ENDS OR PLAIN ENDS.

GENERAL TOLERANCES	
UNLESS OTHERWISE SPECIFIED THE FOLLOWING SHALL APPLY	
MACHINING - .XX= .02 .XXX= .005 ANGLE= .50°	
SURFACE ROUGHNESS HEIGHT 63 MICRONS OR LESS	
FABRICATION - UNDER 6 6 TO 24 24 TO 60 OVER 60	
± .06 ± .12 ± .19 ± .25	
UNLESS OTHERWISE SPECIFIED DIMENSIONS ARE IN INCHES	

01	CORRECTED PRESSURE NOTE IN CHART	10/03/23	SLB
REV. NO.	DESCRIPTION	DATE	BY
REVISIONS			
CUSTOMER			
CUST. NO.			
YOUNG ORDER NO.			
TITLE			
YOUNG INDUSTRIES 45 DEGREE ROTARY VANE DIVERTER VALVE, MODEL 'VT' W/ PNEUMATIC ACTUATOR, STANDARD DIMENSION SHEET			
DRAWN BY: BMF		DATE DRAWN: 10/25/18	
CHECKED BY:		SCALE: 1:4	
DRAWING NUMBER		REV: 01	
S-4-6337			