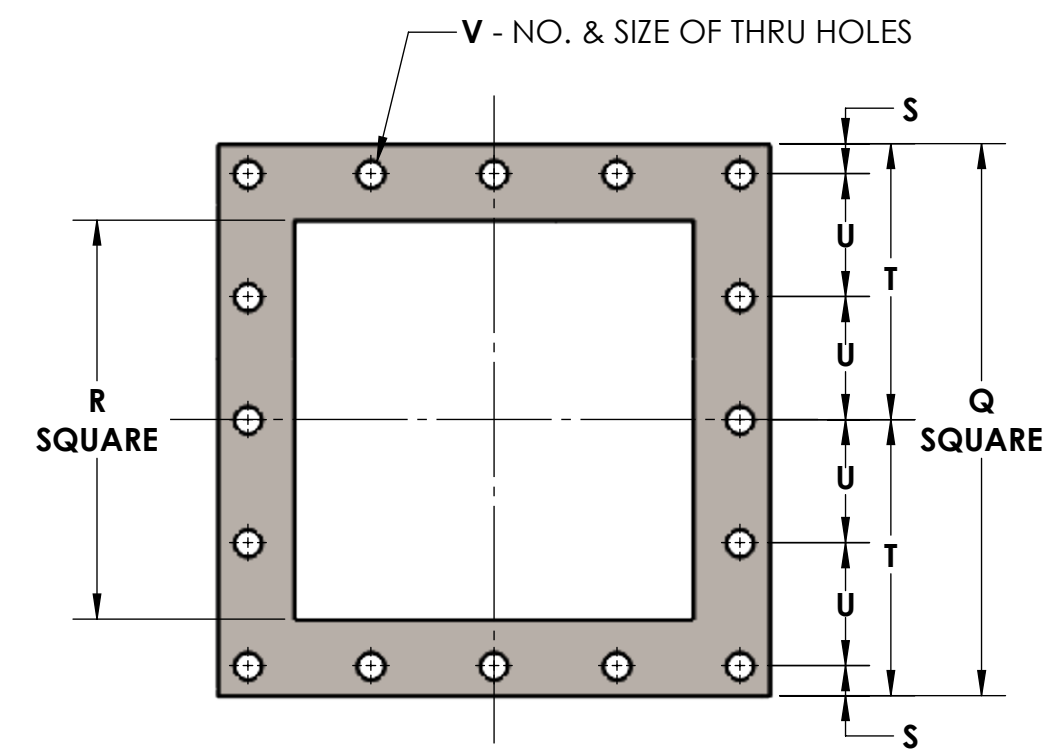
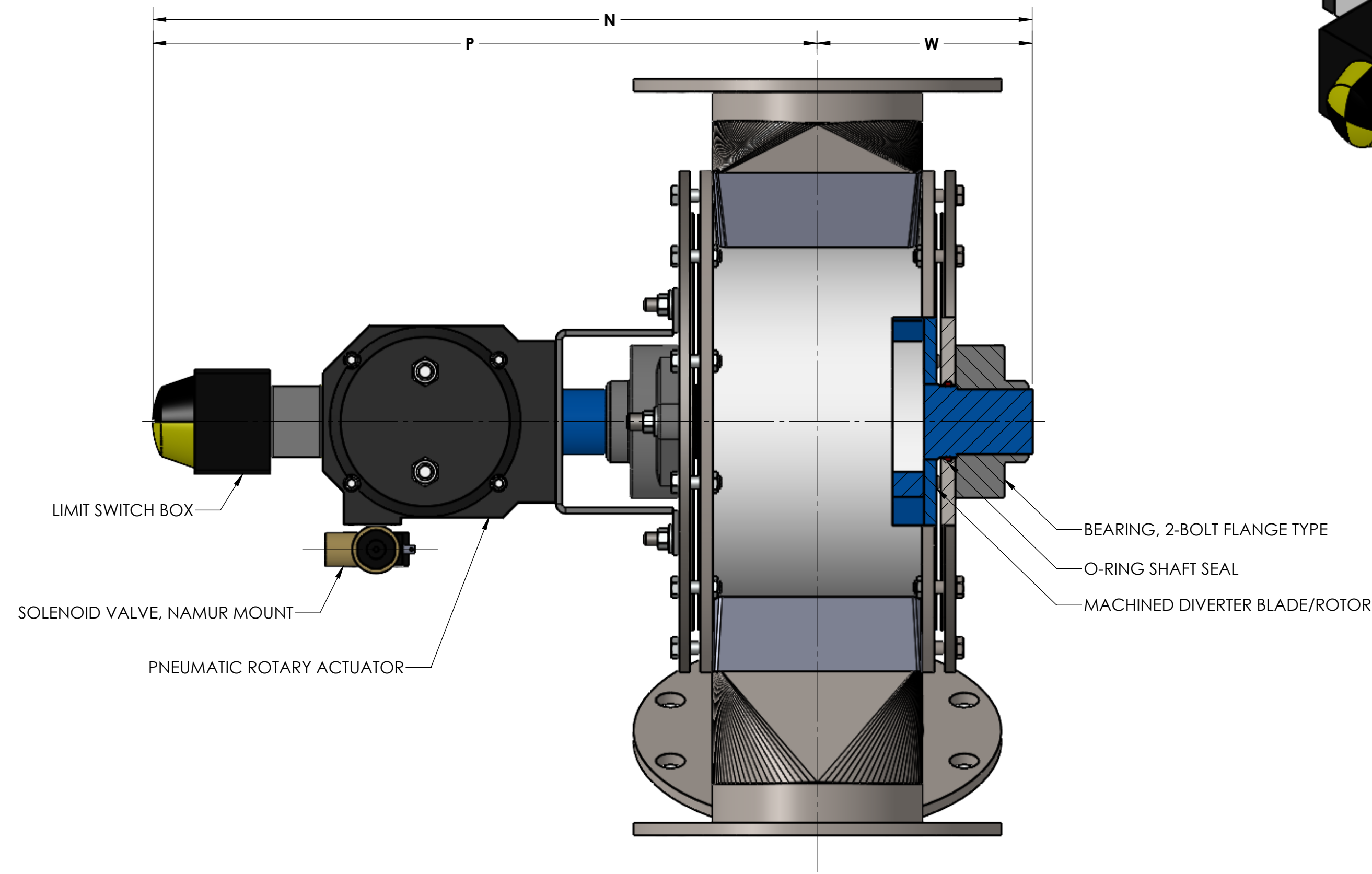
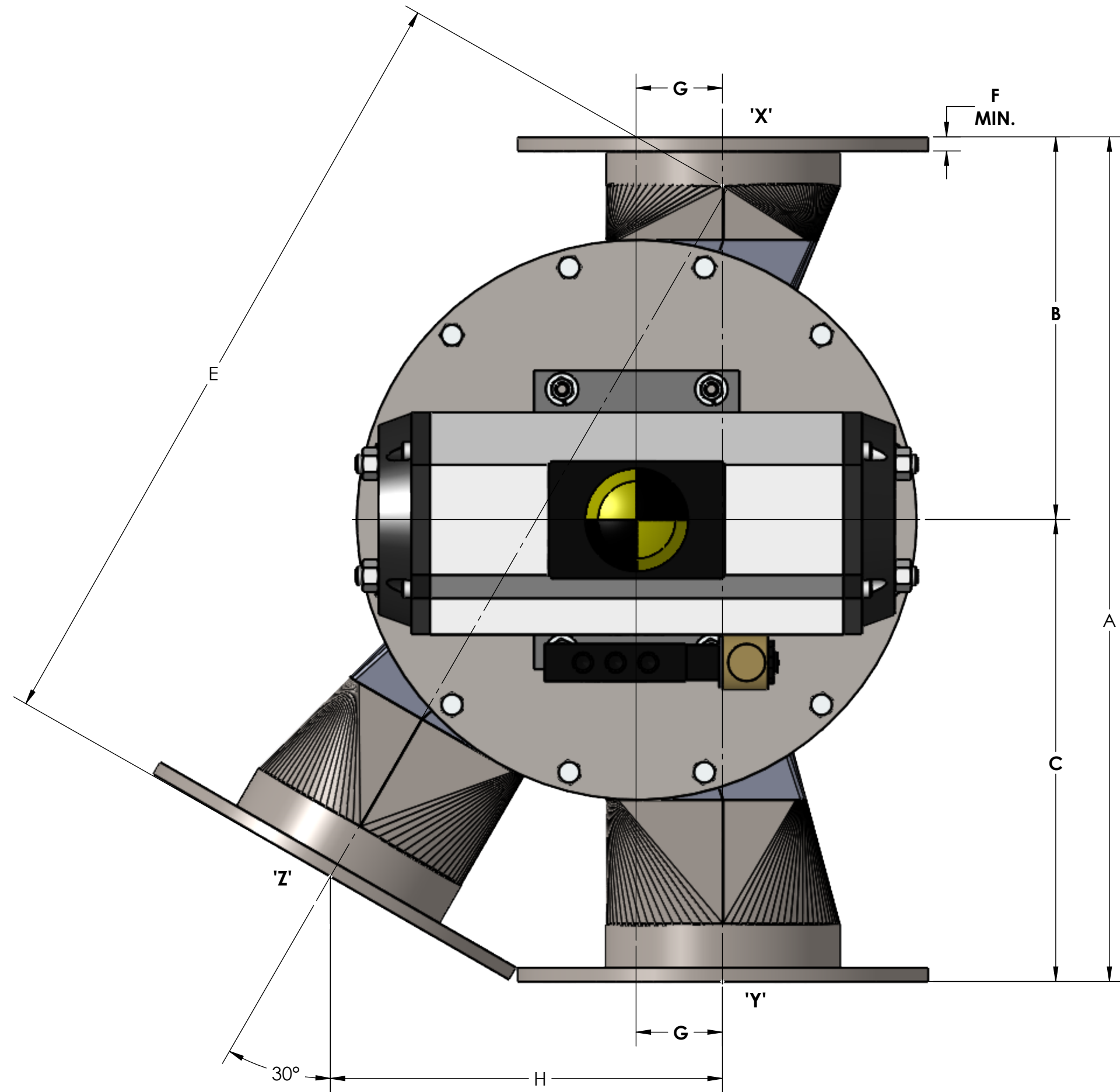
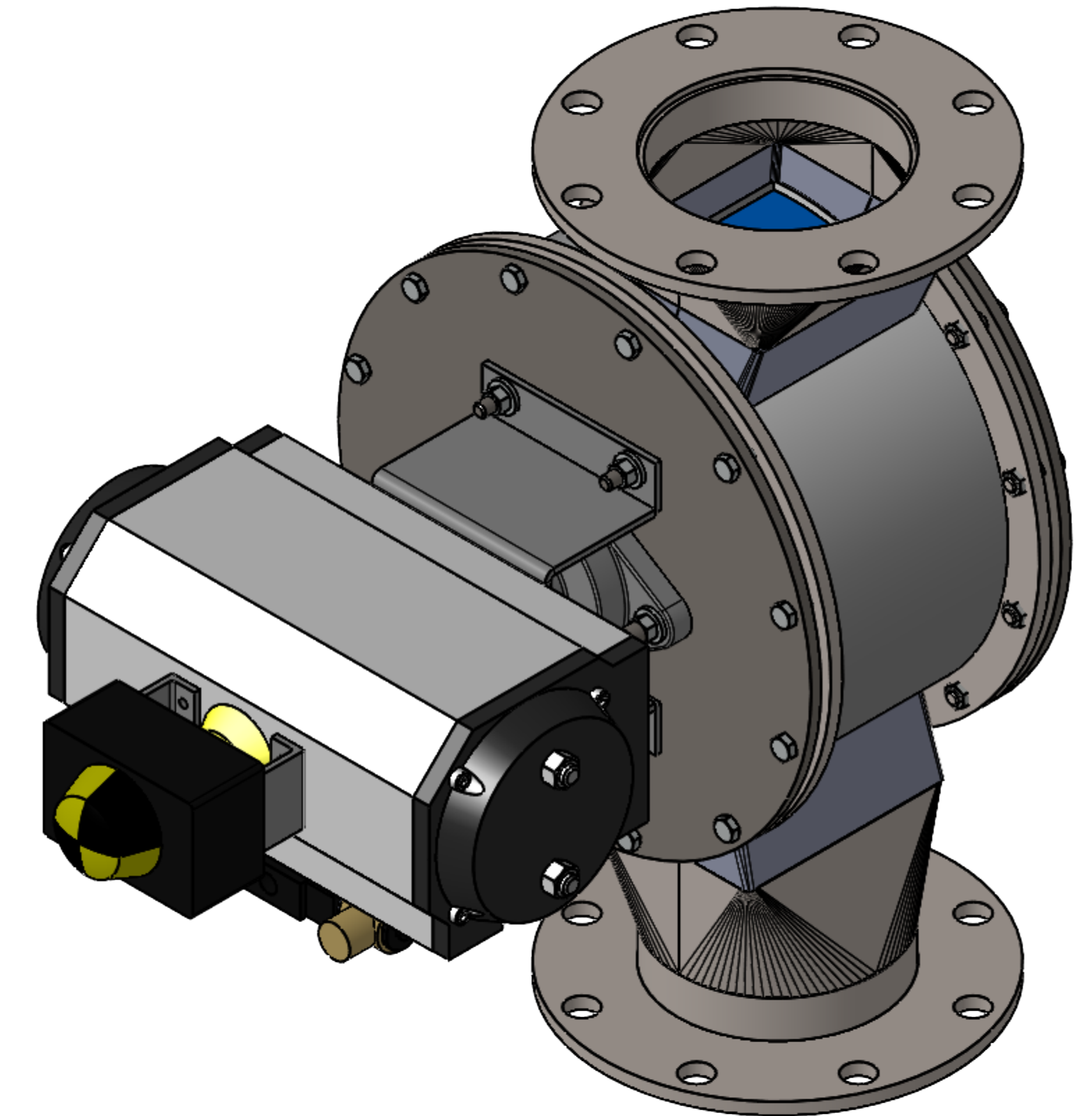


ROUND INLET & OUTLET FLANGE DETAIL
150# ANSI DRILLING



SQUARE INLET & OUTLET FLANGE DETAIL



CERTIFICATION	
CUSTOMER: _____	CUSTOMER NO: _____
	Y.I. ORDER NO: _____
	QUANTITY: _____
MATERIALS OF CONSTRUCTION:	SOLENOIDS:
HOUSING: _____	TYPE: _____
SIDE PLATES: _____	VOLTAGE: _____
GATE: _____	ENCLOSURE: _____
SHAFT: _____	
SEAL MATERIALS:	LIMIT SWITCHES:
HOUSING: _____	TYPE: _____
GATE: _____	
SHAFT: _____	ENCLOSURE: _____
TYPES OF ENDS:	REMARKS: _____
X: _____	
Y: _____	
Z: _____	
DIMENSIONS ON THIS DRAWING ARE CERTIFIED CORRECT FOR THIS ORDER	
PER: _____	DATE: _____
VALVE IS DESIGNED FOR 2 PSIG (MAX) PRESSURE @250°F	

SIZE	A	B	C	D	E	F	G	H	J	K	L	M	N	P	Q	R	S	T	U	V	W
3	17.00	8.12	8.88	5.12	14.00	.25	1.38	7.00	(4) - .75" DIA.	7.50	6.00	3.12	17.06	12.56	-	-	-	-	-	-	4.5
4	19.00	8.50	10.50	6.31	16.81	.25	1.69	8.41	(8) - .75" DIA.	9.00	7.50	4.12	18.06	13.06	7.50	4	0.62	3.12	-	(8) .56	5
5	20.50	9.38	11.12	7.47	18.59	.25	2.00	9.28	(8) - .88" DIA.	10.00	8.50	5.12	19.06	13.56	8.50	5	0.62	3.62	-	(8) .56	5.5
6	22.25	10.38	11.88	8.62	20.50	.25	2.31	10.25	(8) - .88" DIA.	11.00	9.50	6.12	20.06	14.06	9.50	6	0.62	4.12	-	(8) .56	6
8	26.50	12.38	14.12	10.97	25.09	.38	2.94	12.53	(8) - .88" DIA.	13.50	11.75	8.25	28.75	20.94	11.50	8	0.62	5.12	2.56	(16) .56	7.81
10	31.00	14.75	16.25	13.50	29.81	.38	3.62	14.88	(12) - 1.00" DIA.	16.00	14.25	10.25	30.75	21.94	14.75	10	1.00	6.38	3.19	(16) .56	8.81
12	36.25	17.12	19.12	15.94	35.06	.38	4.38	17.75	(12) - 1.00" DIA.	19.00	17.00	12.25	33.25	23.19	16.75	12	1.00	7.38	3.69	(16) .56	10.06

NOTES:

- VALVES ARE FABRICATED CONSTRUCTION. AVAILABLE IN STEEL, STAINLESS STEEL AND ALUMINUM.
- VALVES ARE AVIABLE WITH ROUND OR SQUARE FLANGED ENDS OR PLAINENDS.

GENERAL TOLERANCES	
UNLESS OTHERWISE SPECIFIED THE FOLLOWING SHALL APPLY	
MACHINING - .XX= .02 .XXX= .005 ANGLE= .50°	
SURFACE ROUGHNESS HEIGHT 63 MICRORINCHES OR LESS	
FABRICATION - UNDER 6 6 TO 24 24 TO 60 OVER 60	
± .06 ± .12 ± .19 ± .25	
UNLESS OTHERWISE SPECIFIED DIMENSIONS ARE IN INCHES	

01	CORRECTED PRESSURE NOTE ON CHART	10/03/23	SLB
REV. NO.	DESCRIPTION	DATE	BY
REVISIONS			
CUSTOMER			
CUST. NO.			
YOUNG ORDER NO.			
TITLE			
YOUNG INDUSTRIES 30 DEGREE ROTARY VANE DIVERTER VALVE, MODEL 'RVT' W/ PNEUMATIC ACTUATOR, STANDARD DIMENSION SHEET			
HUNCY, PENNSYLVANIA 17756 TELEPHONE: 570-546-3165			
DRAWN BY: BMF	DATE DRAWN: 10/26/18		
CHECKED BY:	SCALE: 1:3		
DRAWING NUMBER	S-4-7388		REV: 01